



360° Smart Building Security for Pros

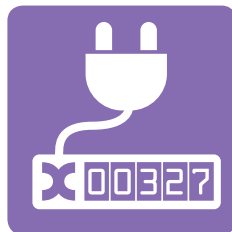
SMART MONITORING



SMART ACCESS



SMART METERING



SMART VIDEO



KENTIX360 CLOUD





Kentix – 360° security made in Germany

Kentix with headquarters in Idar-Oberstein, Germany, is a manufacturer of professional Smart Building Security products for the physical security of mission-critical IT infrastructures. Our integrated security solutions include environmental monitoring, access control, power monitoring and IP video surveillance, completely remote controllable via Kentix360 Cloud and everything coming from a single source. In comparison to several single systems this saves a great amount of cost and effort. The use of wireless mesh networks and modern web technology enables fast and easy system integration. We put great emphasis on the easy usability of all our products which are exclusively manufactured in Germany according to highest quality standards.

Kentix systems offer network based solutions for any demand and can be applied in all sectors of the economy. With Kentix, you can easily optimize your IT availability and avoid system outages before they occur.

As important as the firewall

50% of IT outages have physical causes! In contrast to outages that are caused by software errors, downtime due to physical defects usually lasts a lot longer and is more expensive.

Close a gap in your IT security with Kentix and fulfill regulatory requirements such as BSI baseline protection and the ISO 27001.

Innovative Security
Made in Germany

	Protecting the entire mission-critical IT infrastructure with only one system	4
	360° monitoring of the entire IT infrastructure – at one glance.....	6
	Easy Setup, Easy Operation, Easy Deployment The software behind the Kentix solutions.....	8
	Smart Monitoring	10
	System components.....	14
	Products	16
	Threat-Matrix – Which device monitors which threats?	27
	StarterSets	28
	Network Monitoring	86
	Smart Access.....	34
	System components.....	36
	Access radio-based	40
	Access IP-based.....	64
	Smart Metering.....	72
	System components.....	74
	Products	76
	Smart Video.....	82
	Kentix360 Cloud	84

As of 04/2019 · Changes reserved

Picture credits:
iStock: © Petar Chernaeve, page 2 and 84
fotolia.com: © eyetronic, page 1 and 88
© denphumi, pages 5, 9, 10, 34 and 82
© Senticus, page 84

Layout: kreative-medien.de

Kentix GmbH
Carl-Benz-Straße 9 · D-55743 Idar-Oberstein
Phone: +49 (0) 6781 56 25 10
Fax: +49 (0) 6781 27 44 2
E-Mail: info@kentix.com · kentix.com



IP Cam
Event-driven
HD video recording

MultiSensor
Covers all major threats with one device.
Can easily be interconnected via radio
or LAN

KeyPad
Operating panel for access
control and arming of the
intrusion detectors

MultiSensor-DOOR
Detects vibration, dislocation
and temperature; ideal for
the protection of doors and
windows

Wireless Door Knob
Online access system, integrates
LDAP for easy access manage-
ment and secures doors in in-
terior and exterior areas against
unauthorized access

Smart PDU
Monitors power supply
in rack, enables calibrated
Current measurement.

AlarmManager-PRO
The alarm central; alarms via e-mail,
SNMP or integrated GSM modem
per SMS

Wireless Cabinet Lock
Online access control for IT
racks with remote control

LeakageSensor
Alarms reliably in case of water ingress
and can be interconnected arbitrarily

Securing the entire mission-critical IT infrastructure with just one system

Effective protection against physical risks in server and utility rooms

The Kentix MultiSensor® merges all important physical sensors in one device and monitors the entire IT infrastructure for up to 20 threats such as critical climate factors, fire or burglary. Thereby you lay the foundation for fulfilling regulatory IT security requirements such as the ISO 27001.

The MultiSensor can be connected to a Kentix AlarmManager via radio (ZigBee) or alternatively directly via a network. The installation and commissioning are very easily done with standard patch cables; wiring is not necessary. This way, it is possible to securely remote control the AlarmManager using a smartphone, for example to arm/disarm the system.

The advantages at a glance:

- **Early detection of threats** – short reaction times, low subsequent costs
- **Low personnel costs due to automatic monitoring**
- **Relief for the system administrator** – low liability risk
- **Low operating costs due to remote monitoring**
- **Low investment costs** – easy installation and launch
- **ROI within one year** – immediately if only one outage is prevented

Easy installation and low system costs due to innovative all-in-one solution

All data of the MultiSensors merge in the AlarmManager and are evaluated there. Moreover, the AlarmManager periodically monitors the sensor network and reports error states or manipulation. A GSM modem is integrated in the AlarmManager by default which transmits the alarm messages independently. Therefore, the responsible persons are informed about possible error states in real time. Messages can be transmitted via e-mail or SNMP trap as well. This way, it is possible to securely remote control the AlarmManager by means of any SMS-enabled mobile phone and, for example, arm/disarm the system.



360° monitoring of the entire IT infrastructure – at one glance



Environmental monitoring
It hardly makes sense to only secure single parameters of mission-critical infrastructures. The Kentix MultiSensor® technology monitors all major environmental parameters and reports any critical system states immediately.
▶ See page 10

Early fire detection
Detecting fires or smoldering fires at an early stage is vital in order to prevent great damage. Kentix MultiSensors measure combustion gases at a very low concentration and alarm at an early stage.
▶ See page 10

Access control
Comprehensive and networked access control systems often fail due to high costs. Kentix access systems consist of few components, are easily retrofitted and integrate into any IT environment.
▶ See page 34

Burglary and sabotage protection
Burglary or sabotage by external or internal intruders lead to outages and high costs again and again. With Kentix system solutions, even the smallest functional units can be monitored independently.
▶ See page 10

Alarm-synchronic video recording
For a quick assessment of critical states in remote sites, video recording is essential. Kentix systems record video data synchronically to alarm events and transmit them in one message together with other system information.
▶ See page 82

Power Monitoring
Electric supply systems are the lifeline of any mission-critical infrastructure. We offer simple solutions in order to monitor these completely, to alarm quickly and ultimately to prevent outages.
▶ See page 72

Easy Setup · Easy Operation · Easy Deployment

Kentix systems are IT solutions and are characterized by an easy-to-use software interface as a web GUI. The structure is the same for all system modules.

The software for configuration and operation is already integrated in all our systems. Only a current web browser is required to access the Web GUI - communication is secured via HTTPS. After selecting the language you can immediately start the configuration.

Due to the high standardization of the software modules, the use is the same on all our devices, only differences in function use different control elements.

As an IT manufacturer, we regularly deliver free software updates. In order to manage these updates effectively, our devices offer a central distribution of the software.

In addition to the flexible Web GUI, there are also corresponding apps for operation via smartphone. These offer secure and fast remote access via the Kentix360 Cloud, without complex configuration.

The screenshot displays the Kentix web GUI interface. The top navigation bar includes 'Dashboard', 'Event Logbook', and 'Time Profiles'. The left sidebar contains 'Users', 'Kentix360', 'Configuration', 'System', and 'Logout'. The main content area is divided into sections: 'System' (with sub-sections for 'Headquarter', '1. Office', and '2. Monitoring'), '1. Office' (listing sensors for temperature, humidity, dewpoint, fire, intrusion, and vibration), and '2. Monitoring' (listing network monitoring services like ICMP and Storage). A bottom section shows a detailed log of power consumption events with columns for date, time, location, user, and various power metrics.

#	Sensor #	Temperature	Humidity	Dewpoint	Fire	Intrusion	Vibration	Measurement
1	Serverack (KAM)	24.1 °C	38.4 %	9.1 °C				
2	Main entrance	23.5 °C	49.3 %	9.3 °C	0 %			
3	Door main entrance	16.7 °C	59.2 %	8.7 °C				
4	Shipping	26.3 °C	27.5 %	6.1 °C	0 %			
5	Door shipping	18.9 °C	45.6 %	6.9 °C				
6	Leakage serverroom							

#	Network-Monitoring	Service	Address	Measurement
1	kentix.com	ICMP	www.kentix.com	< 30 ms
2	Storage 1	ICMP	10.15.0.5	< 10 ms
3	Storage 2	ICMP	10.15.0.7	< 10 ms

#	Time	Location	User	Power (W)	Energy (kWh)
13	2018-06-14 16:18:38	DC Room 1	John Smith	9,00 W	3,03 kWh
14	2018-06-14 16:17:58	DC Room 1	John Smith	7,00 W	2,47 kWh
15	2018-06-14 16:17:21	DC Room 1	John Smith	10,00 W	3,35 kWh
16	2018-06-14 16:16:43	DC Room 1	John Smith	0,00 W	0,35 kWh
17	2018-06-14 16:16:06	DC Room 1	John Smith	2,455,00 W	2,455,00 kWh
18	2018-06-14 16:15:28	DC Room 1	John Smith	406,00 W	2,488,24 kWh
19	2018-06-14 16:14:51	DC Room 1	John Smith	1,412,00 W	1,463,28 kWh





Prevent system outages before they occur – network-based environmental monitoring for professional users

Our MultiSensor® technology protects your IT with just one system against up to 37 physical threats such as over temperature, burglary or fire – that is what makes Kentix so ingeniously easy.

CLIMATE

MONITORING

FIRE

E-MAIL/SMS/SNMP

BURGLARY

APP

IP environmental monitoring ingeniously easy – with the Kentix MultiSensor® technology

In contrast to outages that are caused by software errors, downtime due to physical defects is usually more expensive and lasts longer. The Kentix MultiSensor® technology offers the ideal solution for the physical protection of your IT infrastructure. With few components, it detects all major threats at an early stage and alarms before expensive outages occur. Real time information and redundant reporting channels such as SMS or PUSH messages are an integral part of our AlarmManagers. This way, you always receive alarms reliably and even if the company network is down.

Kentix devices are completely IT based and easy to integrate even in distributed IT infrastructures. The entire software is already included; therefore, no additional costs apply. The configuration and administration of the entire system happens centrally and comfortably per web interface. Close a gap in your IT security with Kentix and fulfill regulatory requirements such as BSI baseline protection and the ISO 27001. Avoid liability risks!

Kentix systems replace several single systems such as temperature sensors, burglar alarms or fire detection systems and therefore save about two thirds of the otherwise usual costs.

The following systems are already integrated:

- Climate monitoring
- Intrusion detection system
- Early fire detection
- Current/network monitoring
- Access system
- Server live check

Application possibilities:

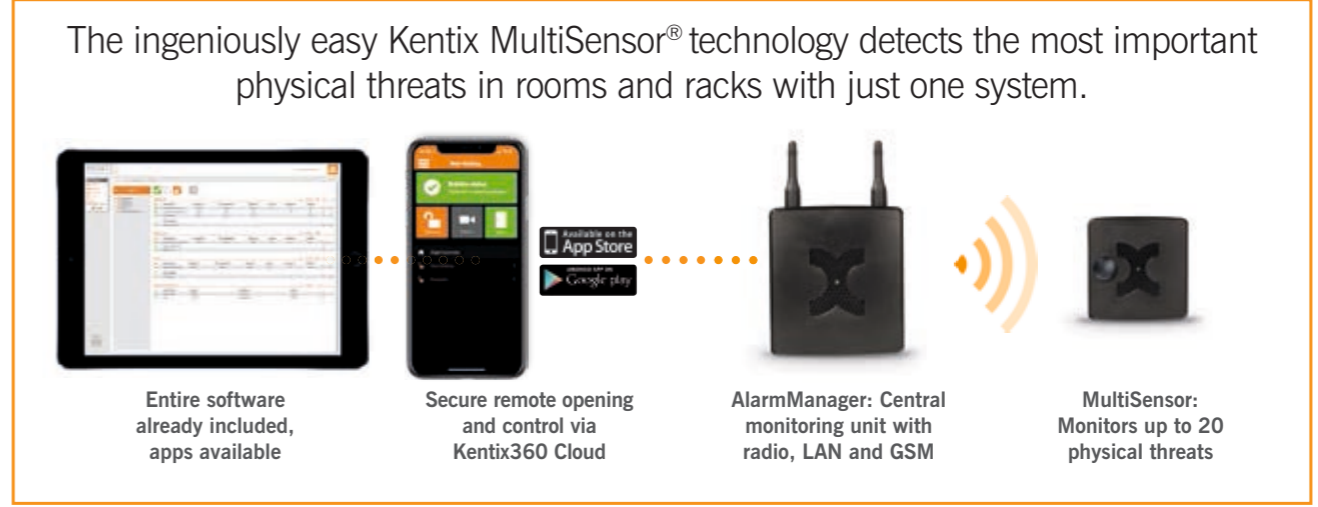
- Server room, utility side rooms, IT cabinet
- Data center and container data center
- Mission-critical infrastructure
- Industry and distributed sites
- Warehouse, logistics, barrier systems
- Hospital, medical practice, medicine cabinets
- Office and administration buildings, branch offices

STARTERSET – SECURES YOUR IT ROOMS ACCORDING TO THE ISO 27001

Monitors up to 37 threats!

AlarmManager, MultiSensor KMS-RF and MultiSensor-DOOR

▶ For more info on the StarterSets see page 28



One device that detects all major physical risks – the Kentix MultiSensor®



Temperature

- Monitoring of room temperature
- Monitoring of cooling or heating

External signal inputs

- Enables the connection of external devices such as LeakageSensors
- Door contacts, fault messages of external devices

Humidity

- Monitoring of humidity
- Monitoring of room air-conditioning

Ext. alarm and switch outputs

- Control of external alarm devices such as sirens, flashing lights
- Remote control of devices

Dew point

- Monitoring of the dew point
- Prevention of condensation

Acoustic signal transmitter

- Integrated signal transmitter for acoustic alarming

Supply voltage

- Monitoring of the external voltage
- Bridging and reporting of power failure

PIR motion detection

- Fast motion detection
- Secure detection of unauthorized persons

ZigBee radio transmission

- Encrypted transmission of sensor data to the central unit
- High range and security due to automatic networking

Carbon monoxide (CO)

- Early fire detection via highly sensitive CO sensor
- Detection of emerging fires

Sabotage monitoring

- Continuous monitoring of possible manipulation and sabotage of MultiSensor and AlarmManager



All system components at a glance – easy networkability for 360° Smart Monitoring



LAN (PoE)



AlarmManager-PRO
KAM-PRO



KeyPad-Touch
KKPT



MultiSensor-DOOR
KMS-DOOR



MultiSensor-RF
KMS-RF

System socket



Sounder
KFLASH1



LeakageSensor-Rope
KLS03-ROPE

LAN (PoE)



MultiSensor-LAN
KMS-LAN

System socket

LAN (PoE)



MultiSensor-LAN-RF
KMS-LAN-RF



MultiSensor-DOOR
KMS-DOOR

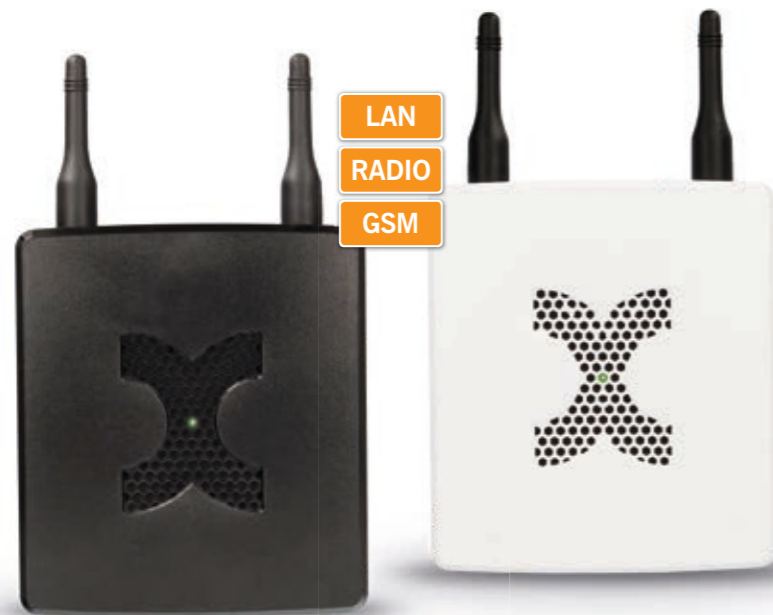


MultiSensor-RF
KMS-RF

LAN (PoE)



Digital I/O
Expansion Module
KIO7053/52/17



LAN
RADIO
GSM

AlarmManager

The AlarmManager is the intelligent alarm central of the system; all the information of the MultiSensors merge here. The AlarmManager is mounted in the server room or rack and forwards all alarm or fault messages to the responsible persons. The configuration happens via a comfortable web interface. All system messages are filed in an internal database.



Products

Type	Housing color	Item number	Type	Item number
AlarmManager-BASIC	Black	KAM-BASIC-B	PoE Injector	KPOE150S
AlarmManager-BASIC	White	KAM-BASIC-W	I/O Module with relays	KIO3
AlarmManager-PRO	Black	KAM-PRO-B	Gain magnet antenna	KMA3
AlarmManager-PRO	White	KAM-PRO-W	Antenna extension (5m)	KMA3-5

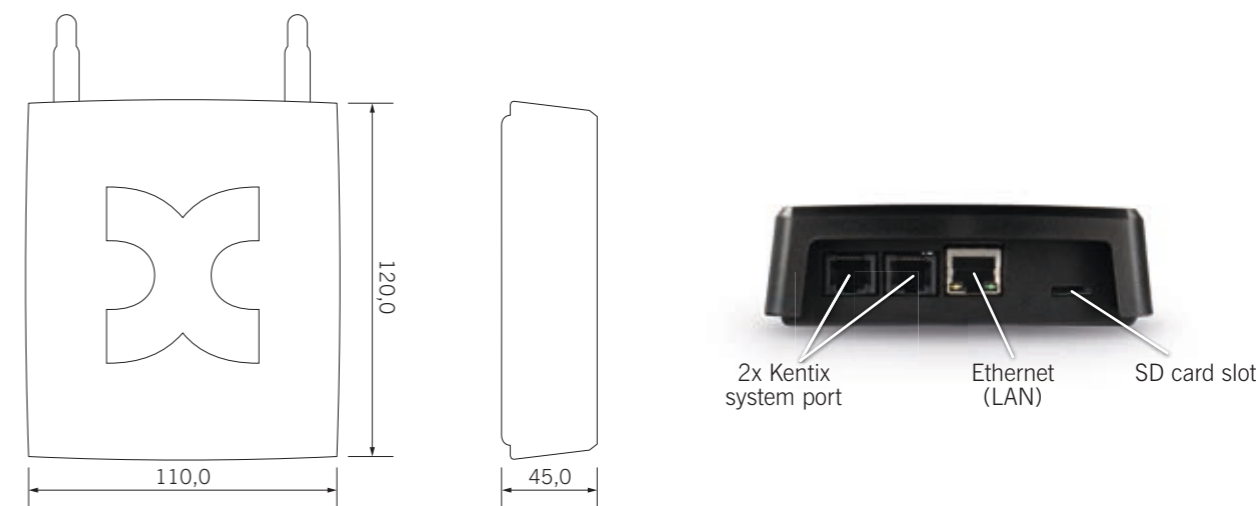
Accessories

Technical Details

Number of MultiSensors	Up to 500 MultiSensors and devices total
Integrated sensors	Temperature -99 up to +99°C, humidity 0-100%, dew point °C
Sabotage sensor	Internal vibration sensor (adjustable)
Signal transmitter	85dB, 2.3kHz
LED	GREEN/RED
Radio	ZigBee® 2,4GHz ISM Band +3dBm output IEEE802.15.4, encryption AES 128 Bit
SD card	Micro SD card slot for cards up to 128GB
SNMP	SNMP V2/3, SNMP Traps (MIB)
LAN	10/100Mbit
Integrated LTE modem	Quad-Band (GSM/LTE) 850/900/1800/1900MHz; integrated SIM card holder
Power supply	PoE Class 3 or via external I/O Module KIO3 (accessories) 12-32VDC, power consumption approx. 5W
Integrated emergency power supply	Autonomy time via internal super capacitor approx. 4 min., internal power monitoring
Kentix system port	2x RJ45, for the connection of external Kentix Plug'n'Play modules (accessories)
Alarm inputs (system port)	4x alarm input for potential-free wiring
Switch outputs (system port)	4x Open Collector 0.1A/24V Optional: I/O Module with relay (KIO3) for the connection of external systems
Housing	Protection class IP20, size 110 x 120 x 45 mm, weight approx. 300g, colors: white, black
Environmental conditions	Temperature 0 – 50°C, humidity 5-95%, non-condensing
Delivery contents	AlarmManager, antennas (ZigBee®, GSM), mounting bracket, SlimLine cable 3m, mounting material
Audits	CE

Function Overview - Device Variants

Variant	KAM-PRO	KAM-BASIC
Function	GSM alarm and control central for MultiSensor, KeyPad, accessories	GSM alarm and control central for MultiSensor, KeyPad, accessories
Room/site size	up to approx. 10.000 m ²	up to approx. 4.000 m ²
Number of connectable MultiSensors	500	200
MultiSensors with radio	✓	✓
MultiSensors with LAN	✓	✗
Configuration	Web server	Web server
Smartphone app	✓	✓
Integrated web server (HTTPS)	✓	✓
Server monitoring (live check)	✓	✓
IP video camera control	✓	✓
SMS alarms	✓	✓
E-mail alarms	✓	✓
VDS 2465-S2 alarming (TCP)	✓	✗
SNMP Trap (V2, V3)	✓	✓
SNMP MIB (V2, V3)	✓	✓
Data logger with long-term memory	✓	✓
External I/O modules (ethernet)	✓	✗
Switch outputs (Open Collector)	4	4
Alarm inputs (isolated)	4	4
Port LeakageSensor	✓	✓
PoE (Power over Ethernet, Class3)	✓	✓
External power supply	✓	✓
Integrated UPS (super capacitor)	✓	✓
LAN port (10/100Mbit, IP-V4)	✓	✓
ZigBee (radio)	✓	✓
Kentix system socket	✓	✓
Sabotage monitoring	✓	✓
Sensor - Temperature (0-99°C)	✓	✓
Sensor - Relative humidity (0-100%)	✓	✓
Sensor - Dew point (°C)	✓	✓
Sensor - Vibration (shock)	✓	✓
Voltage monitoring (PoE)	✓	✓
Size (L x W x H in mm)	110 x 120 x 45	110 x 120 x 45





MultiSensor

The MultiSensor is the ingeniously easy solution for server room monitoring. With just one device you monitor your IT infrastructure for up to 20 physical threats such as critical climate factors, fire or burglary and lay the foundation for fulfilling regulatory requirements according to BSI baseline protection and the ISO 27001.



Products

Type	Housing color	Item number
MultiSensor-LAN	Black	KMS-LAN-B
MultiSensor-LAN	White	KMS-LAN-W
MultiSensor-LAN-RF	Black	KMS-LAN-RF-B
MultiSensor-LAN-RF	White	KMS-LAN-RF-W
MultiSensor-RF	Black	KMS-RF-B
MultiSensor-RF	White	KMS-RF-W

Accessories

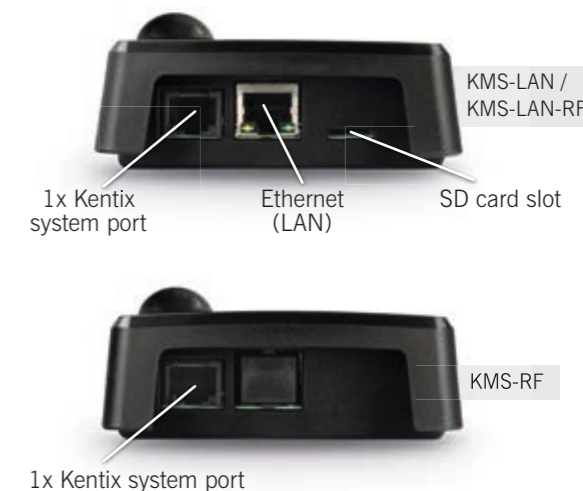
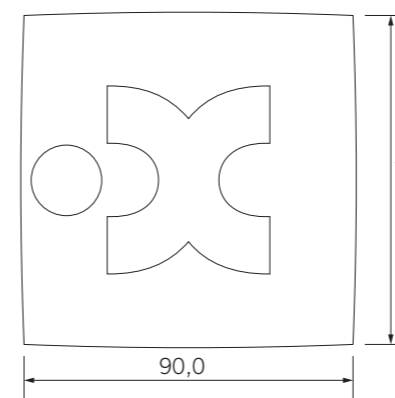
Type	Item number
PoE Injector	KPOE150S
I/O Module with relays	KIO3
Test gas	CO-TEST-3

Technical Details

Connectivity	Stand-alone operation (integrated web server) or AlarmManager-BASIC/PRO
Sensor – Temperature	Measuring range -20°C/-4°F up to +99°C/210°F (accuracy ±0,5°C)
Sensor – Relative humidity	Measuring range 0 up to 100% (accuracy ±3%)
Sensor – Dew point	Measured in °C/°F
Sensor – Motion detector	PIR sensor, sensitivity adjustable, detection coverage approx. 110°, range approx. 8m
Sensor – Vibration	3 axis vibration sensor, sensitivity adjustable
Sensor – Carbon monoxide (CO)	0-10.000ppm measurement ± 10%, internal trigger 20-200ppm (0-100%), life time 10 years
LEDs	RUN/ALARM (Green/Red), LINK/ACT on LAN port
LAN	10/100 Mbit LAN port, integrated web server, Ports: Communication / Web interface: 80 / 443 (HTTPS)
SNMP	SNMP V2/3, SNMP Traps (MIB)
Power supply via	PoE (only KMS-LAN/KMS-LAN-RF) 12-72VAC/DC power consumption approx. 1.5W, PoE class 1
Power supply via	Adaptor 12-32VAC/DC power consumption approx. 1.5W per system port
Kentix system port	RJ45, for connecting external Kentix plug'n'play modules
Alarm inputs (system port)	2x alarm input for potential-free wiring
Switch outputs (system ports)	2x Open Collector 0.1A/24V, optional: I/O Module with relay (KIO3)
SD card	Micro SD card slot (only KMS-LAN and KMS-LAN-RF)
Signal transmitter	85dB, 2.3kHz
Housing	Protection class IP20, 90 x 90 x 45 mm, weight approx. 100g, colors: white, black
Environmental conditions	Temperature 0 – 50°C, humidity 5-95%, non-condensing
Delivery content	MultiSensor, mounting brackets, mounting material, SlimLine cable 3m, adaptor (only KMS-RF)
Audits	CE

Function Overview - Device Variants

Variant	KMS-LAN-RF	KMS-LAN	KMS-RF
Function	Multifunctional sensor with ethernet and ZigBee radio as repeater	Multifunctional sensor with ethernet	Multifunctional sensor with ZigBee radio
Room/site size	20m², IT rack	20m², IT rack	20m², IT rack
Expandable radio MultiSensors	25 (radio)	-	-
Configuration	Web server AlarmManager	Web server AlarmManager	- AlarmManager
Smartphone app	✓	✓	✗
Integrated web server	✓	✓	✗
Stand-alone-capable without AlarmManager	✗	✓	✗
IP video camera control	✓	✓	✗
E-mail alarms	✓	✓	✗
Data logger with long-term memory	✓	✓	✗
SNMP Trap (V2/3)	✓	✓	✓ (AlarmManager)
SNMP MIB (V2/3)	✓	✓	✓ (AlarmManager)
SD card	✓	✓	✗
Signal contact (Open Collector)	2	2	2
External alarm inputs	2	2	2
Connection of LeakageSensor	✓	✓	✓
PoE (Power over Ethernet)	✓	✓	✗
External power supply	✓	✓	✓
Integrated UPS (super capacitor)	✗	✗	✓
LAN port (10/100Mbit, IP-V4)	✓	✓	✗
ZigBee (radio)	✓	✗	✓
Kentix system socket	✓	✓	✓
Sabotage monitoring	✓	✓	✓
Sensor - Temperature (0-99°C)	✓	✓	✓
Sensor - Relative humidity (0-100%)	✓	✓	✓
Sensor - Dew point (°C)	✓	✓	✓
Sensor - Carbon monoxide (CO >20ppm)	✓	✓	✓
Sensor - Motion	✓	✓	✓
Sensor - Vibration (shock)	✓	✓	✓
Voltage monitoring	✗	✗	✓
Size (L x W x H in mm)	90 x 90 x 45	90 x 90 x 45	90 x 90 x 45

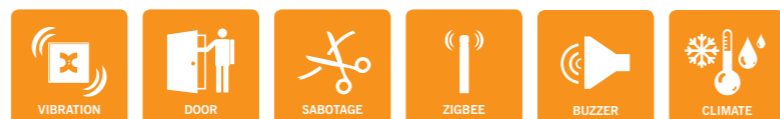




BATT
RADIO

MultiSensor-DOOR

Ultra-compact MultiSensor for the detection of burglary attempts on doors, windows and moveable objects, including climate monitoring. It replaces classic door contacts and can very easily be mounted due to its magnetic contact that adapts to the conditions of the door or window respectively. The Multi-Sensor-DOOR is battery operated and has a very long battery life (up to 4 years).

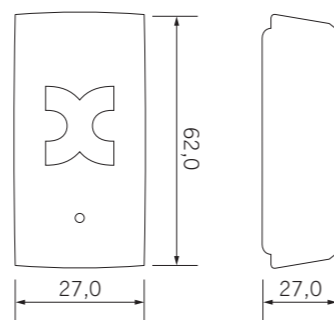


Products

Type	Housing color	Item number
MultiSensor-DOOR	Black	KMS-DOOR-B
MultiSensor-DOOR	White	KMS-DOOR-W

Accessories

Type	Item number
Spare battery	KER14250



Technical Details

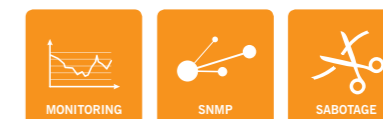
Connectivity	AlarmManager-BASIC (KAM-BASIC); AlarmManager-PRO (KAM-PRO)
Sensor – Temperature	Measurement range -20°C/-4°F up to +99°C/210°F (accuracy +/- 0,5°C)
Sensor – Relative humidity	Measurement range 0 up to 100% (accuracy +/- 3%)
Sensor – Dew point	Measured in °C/°F
Sensor – Vibration	3 axis, sensitivity adjustable
Sensor – Reed contact	Magnetic sensor for door position (spacing up to approx. 1 cm)
Sensor – Sabotage	Sabotage message when disassembled
Signal transmitter	65dB, 2.3kHz
LED	Multicolor LED (Red/Green); ALARM (Red); Teaching-in (Green)
Radio	ZigBee® 2,4GHz; ISM Band +3dBm; output IEEE8 02.15.4; encryption AES 128 Bit
Power supply	Lithium-ion battery, 1/2 AA 3,6V (1.200 mAh); battery life up to 4 years (approx. 200.000 transactions)
Housing	Material: PS 62 x 27 x 27 mm; weight approx. 50g; colors: black, white
Environmental conditions	Temperature 0 – 45°C; humidity 5-95%, non-condensing
Delivery content	1x Li-battery 3,6V/1.200mAh, mounting material, magnet for REED contact
Audits	CE

LAN
PoE



Digital I/O Expansion Module

The I/O Expansion Module is connected to the AlarmManager-PRO and serves the connection of external alarm messages. It communicates via ethernet. This way, the module can be mounted in any arbitrary place. The configuration happens on the web interface of the AlarmManager-PRO. Via the integrated web server, the module offers an easy IP configuration and testing of the in/outputs without additional software. Up to 32 modules (500 alarm inputs max.) can be operated on one AlarmManager-PRO.



Products

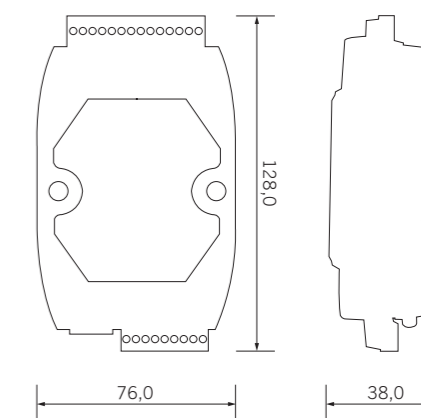
Type	Inputs	Outputs	Configuration alarm outputs	Item number
I/O Module	Digital inputs for voltage wiring; ON: +10-50VDC, OFF: +4DC; input impedance: 10kOHM, overvoltage protection 70VDC	Open-Collector outputs 10-40VDC, capacity 650mA (up to 1.1A overcurrent protection), overvoltage protection 47VDC	Openly assignable and switchable	KIO7052
I/O Module	Digital inputs for potential-free wiring, ON: open, OFF: input switched to GND	—	—	KIO7053
I/O Module	8 analog inputs for measured values 0-10V, 4-20mA	—	—	KIO7017

Accessories

Type	Item number
PoE Injector	KPOE150S
External Temperature Sensor (IP66) -50°C to 100°C	KESAN1
External cable Temperature Sensor (IP66) -50°C to 100°C	KESAN2

Technical Details

Connectivity	External alarms of existing system components (air conditioners, UPS systems, generators, alarm systems)
AlarmManager	Connection to Kentix AlarmManager-PRO
Configuration	Integrated web server (HTTP)
Protocols	KAM-IO-Communication per IP-Port: 502 (Default)
Security	ID, password and IP filter
Terminal clamps	Pluggable screw terminals for cables up to 1 mm ²
Isolation	Ethernet 1,5kVDC, I/O 3,7kVrms
Environment	Operating temperature -20°C up to +60°C, relative humidity 10-90% non-condensing
Network	LAN 10/100 Base-TX (PoE)
Power supply	PoE (Class 1) or external adaptor 12-32VDC, 3Watt
Housing	76 x 128 x 38 mm (DIN rail assembly)
Delivery content	KIO7052/KIO7053/KIO7017, 3m patch cable, terminal block, manual
Audits	CE





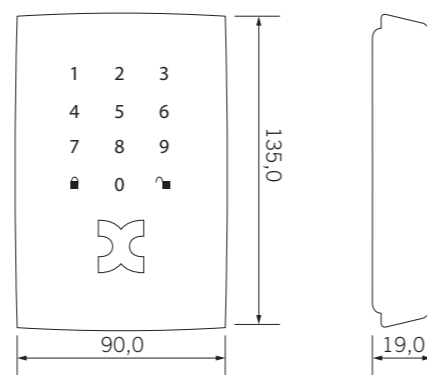
KeyPad-Touch

The KeyPad with glass-touch-pad is used to arm/disarm the AlarmManager and to control access. Each event is documented and saved in the log book of the AlarmManager. The KeyPad is easy to mount on the wall and is battery operated with two standard AAA batteries. By default, the KeyPad-Touch is equipped with an RFID card reader (MIFARE® DESFire®, LEGIC® advant).



Products

Type	Reader	Item number
KeyPad-Touch	RFID reader 13.56MHz for MIFARE® and LEGIC® advant RFID mediums	KKPT

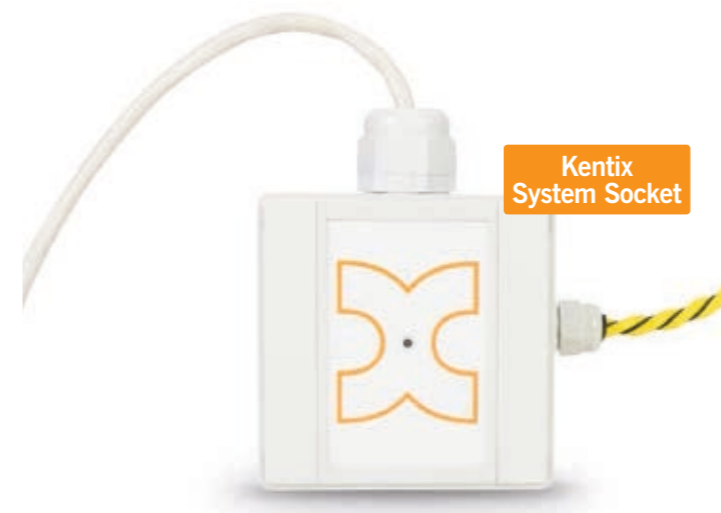


Accessories

Type	Delivery content	Item number
RFID token	1 piece	KKT-M
RFID token	25 pieces	KKT-M25
Transponder card	1 piece	KKT-MC
Transponder card	25 pieces	KKT-MC25

Technical Details

Connectivity	AlarmManager-BASIC/PRO, MultiSensor-LAN-RF
Signal transmitter	70dB, 2.3kHz
LED	Zone (RED/GREEN), armed (RED/GREEN), disarmed (RED/GREEN)
Radio	ZigBee® 2,4GHz ISM Band +3dBm output; IEEE8 02.15.4; encryption AES 128 Bit
RFID-NFC	Integrated RFID reader (13.56MHz); ISO14443A/B, ISO15693, ISO18092/NFC (MIFARE® DESFire®, LEGIC® advant)
Power supply	Battery operation 2 x 1.5V/AAA; battery life approx. 2 years, depending on the number of read cycles
Housing	Material: PS 90 x 135 x 19 mm; weight approx. 100g; color: white; protection class IP40
Environmental conditions	Temperature 0 – 45°C; humidity 5-95%, non-condensing
Delivery content	KeyPadTouch, 2x MIFARE® DESFire® RFID token, 2x AAA batteries
Accessories	Spare battery KeyPad 1.5V/AAA, 1000mAh
Audits	CE



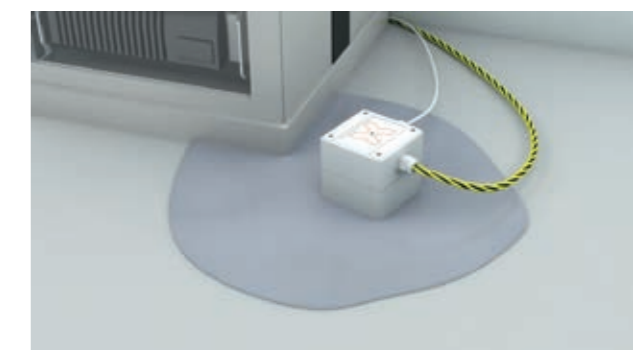
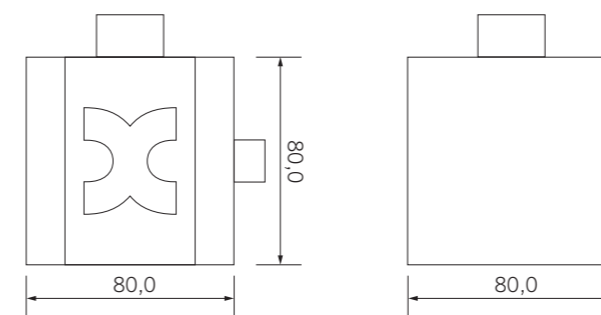
LeakageSensor

The LeakageSensor is connected to an AlarmManager or a MultiSensor-LAN/-RF per plug'n'play and continuously measures conductivity via several electrodes. It is connected with a standard patch cable and therefore can easily be „patched in“ to existing wiring. The LeakageSensor-ROPE additionally has a sensor cable. The integrated sensors in the cable detect water ingress all along the rope at an early stage. The LeakageSensor is cascable up to five times and therefore also suitable for large rooms.



Products

Type	Sensor cable length	Item number
LeakageSensor	—	KLS03
LeakageSensor-ROPE	10 meters	KLS03-ROPE-10
LeakageSensor-ROPE	20 meters	KLS03-ROPE-20



The LeakageSensor detects water ingress quickly and reliably

Technical Details

Connectivity	Kentix system socket (RJ45)
Power supply	Via Kentix system socket
Status LED	RED/GREEN
Temperature range	-25°C up to 70°C / max. 85%rF, non-condensing
Connection cable	10m, RJ45 plug for Kentix system socket
Housing sensor	Ni/Au, sensitivity: 1ml water
Rope sensor	Conductive polymer cable, sensitivity: 10ml water on approx. 20cm length
Housing	Color white, protection class IP65 according to EN60529
Cable fittings	M20
Weight	Approx. 200g (KLS03), 0,75kg (KLS03-ROPE-10), 1kg (KLS03-ROPE-20)
Size	80 x 80 x 80 mm
Delivery content	LeakageSensor, 10m connection/patch cable, 1x case fitting for cascading



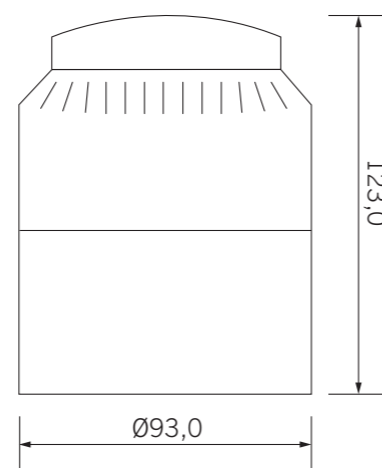
Sounder

The sounder can be mounted inside or outside of the building. It is a combination signaling device and a significant component of a fully functioning alarm chain. In case of an alarm, the sounder creates a very loud acoustic signal of up to 110 dB sound pressure. In addition to the acoustic signal, a visual alarm is generated by a colored flashing light (flash frequency: 1 Hz) that can be seen far into the distance. Due to its robust ABS housing, the compact alarm module can also be used in outdoor areas. It is connected directly to the Kentix system socket via a RJ45 patch cable (10m included in delivery).



Products

Type	Item number
Sounder	KFLASH1



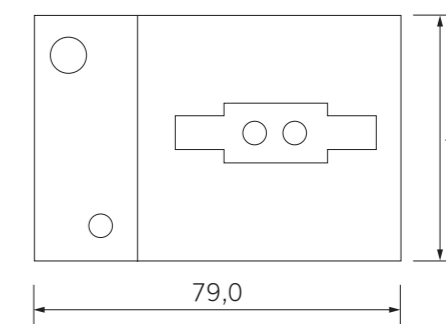
Technical Details

Connectivity	Kentix system socket via included patch cable 10 m (RJ45)
Power supply	Via Kentix system socket or included power injector
Sound pressure	110 dB
Alarm flash LED	Red, flash frequency 1Hz
Monitoring	Sabotage monitoring
Temperature range	-10°C up to +55°C / max. 95%rF, non-condensing
Connecting cable	max. 50 m
Internal RJ45 plug	For Kentix system socket
Housing	ABS, IP43
Weight	approx. 1kg
Size	Ø93 mm, H123 mm
Delivery content	Sounder, 10m connection/patch cable, 1x power adapter 24/1A, RJ45 adapter 3-fold



Dust-/Dirtsensor

The optical dust/dirt sensor is used to detect the degree of contamination in data centers, IT racks and distributors. It is connected directly to the Kentix system socket via an RJ45 patch cable (5 m scope of delivery). The sensitivity is adjustable.



Products

Type	Item number
Dust-/Dirtsensor	KDS01

Technical Details

Connectivity	At Kentix system socket via included patch cable 5 m (RJ45)
Power supply	Via Kentix system socket
Monitoring	pollution
Temperature range	0°C to +60°C
Weight	approx. 0,1 kg
Size	79 x 44 mm
Delivery content	Dust-/Dirtsensor, 5 m connection cable



Rack mounting bracket

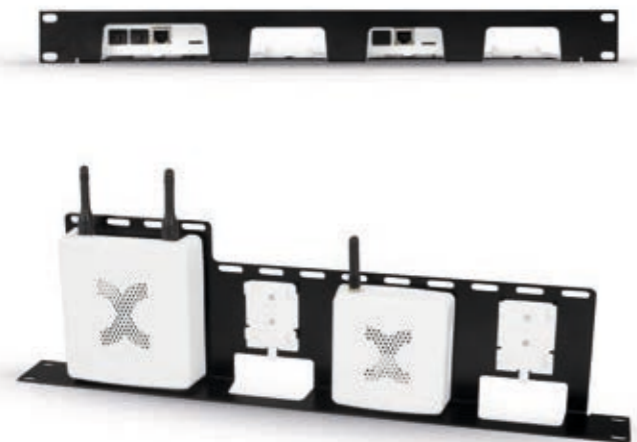
1-U Mounting bracket made of sheet metal for mounting Kentix MultiSensors in 19" IT rack. Suitable for mounting KMS-LAN, KMS-LAN-RF, KMS-RF, KMS-RFB, KAM, KPM-100 The sensor is mounted in the optimum downward orientation. The devices are protected against unauthorised access by being housed in a rack. Additional cabling in the server room is also not required.

Products

Type	Item number
Rack mounting bracket	KRA-03

Technical Details

Mounting	Directly in the 19" rack
Weight	approx. 0,15 kg
Height	44 mm
Delivery content	Rack mounting bracket, screw set 3 mm



Rack mounting frame

1-U mounting frame made of sheet metal for mounting up to four Kentix devices in a 19" IT rack. The following devices can be mounted KAM-BASIC/PRO (1-piece), KXP-16, KMS-LAN, KMS-LAN-RF, KMS-RF, KMS-RFB (4-pieces). By placing them in the rack, the devices are protected against unauthorized access and additional cabling in the server room is also not required.

Products

Typ	Artikelnummer
Mounting frame	KRA-01

Accessories

Typ	Artikelnummer
Gain magnet antenna	KMA3

Technical Details

Mounting	Directly in the 19" rack
Weight	approx. 0,4 kg
Heght	44 mm
Delivery content	Rack mounting frame, screw set 3 mm

IMPORTANT!

When using radio components in the IT rack, order external antennas if necessary!

Threat-Matrix – Which device monitors which functions?

	MultiSensor-RF	MultiSensor-LAN	MultiSensor-DOOR	StarterSet-BASIC	StarterSet-PRO
Number of monitored threats	20	19	10	30	37
TEMPERATURE - CLIMATE - ENVIRONMENTAL ISSUES					
Overtemperature	✓	✓	✓	✓	✓
Undertemperature - frost	✓	✓	✓	✓	✓
Defective air-conditioning	✓	✓	✓	✓	✓
Defective dehumidification	✓	✓	✓	✓	✓
Defective climate control	✓	✓	✓	✓	✓
Clogged filters	✓	✓		✓	✓
General malfunction of air-conditioning	✓	✓		✓	✓
SMOULDERING FIRE - FIRE					
Smouldering fire on cables, devices	✓	✓		✓	✓
Smouldering fire in electricity distributors	✓	✓		✓	✓
Charred, defective electronic components	✓	✓		✓	✓
Fire - Combustion gases	✓	✓		✓	✓
Battery degassing (H-hydrogen)	✓	✓		✓	✓
BURGLARY - THEFT - SABOTAGE					
Unauthorized access	✓	✓	✓	✓	✓
Intrusion	✓	✓	✓	✓	✓
Attempted intrusion - securing perimeters			✓		
Access to unauthorized sections (racks, cabinets)	✓	✓	✓	✓	✓
HARDWARE FAILURE					
Power loss - defective cables				✓	✓
Loss of active system components				✓	✓
Loss of services (HTTPS, SMTP, VPN, DB, etc.)				✓	✓
Performance loss				✓	✓
Sabotage/theft of active components			✓	✓	✓
Defective fans				✓	✓
General malfunction of active components				✓	✓
WATER INGRESS - MOISTURE (optional LeakageSensor required)					
Open windows	✓*	✓*		✓*	✓*
Defective plumbing in the room	✓*	✓*		✓*	✓*
Defective plumbing in adjoined rooms and floors	✓*	✓*		✓*	✓*
Leakage - climate or heating systems	✓*	✓*		✓*	✓*
POWER - VOLTAGE - NETWORK QUALITY					
Power failure	✓			✓	✓
Overvoltage - peak					✓*
Flickering - short term power loss					✓*
Undervoltage					✓*
Deviation of power/UPS frequency					✓*
Overcurrent - overload					✓*
UPS operation				✓	✓
UPS defect/malfunction				✓	✓
UPS battery failure				✓	✓
UPS residual maturity and capacity				✓	✓

* Additional sensors required

StarterSets

With the Kentix StarterSets, you get a complete package for quick and easy access to the innovative Kentix monitoring technology. This way, you can monitor all critical physical threats with just one system. Kentix devices offer the administration of up to 1.000 user accounts for the alarming.

The StarterSet-BASIC contains everything you need in order to monitor racks and IT rooms of up to 20m²: an AlarmManager-BASIC and wireless MultiSensor-RF. The set can be expanded with additional Multi-

Sensor-RF (up to 200). Updating to the PRO-version is also possible later on, in case network-enabled sensors (MultiSensor-LAN) should be required for the expansion.

The StarterSet-PRO contains all the components you need for the monitoring of rooms and racks from 20m² up to 10.000m² in size as well as for distributed sites. Due to the included AlarmManager-PRO, the system can be expanded with additional Multi-Sensors immediately.

Products

Type	Housing color	Item number
StarterSet-BASIC	Black	KSS-BASIC-B
StarterSet-BASIC	White	KSS-BASIC-W
StarterSet-PRO	Black	KSS-PRO-B
StarterSet-PRO	White	KSS-PRO-W

Accessories

Type	Item number
PoE Injector	KPOE150S

Technical Details

See integrated products of the StarterSets

AlarmManager-Basic	Page 16
AlarmManager-PRO	Page 16
MultiSensor-RF	Page 18
MultiSensor-DOOR	Page 20

StarterSet-BASIC

Security for small IT rooms according to the ISO 27001 with GSM alarm center



Delivery content

StarterSet-BASIC:

- 1 AlarmManager-BASIC (LAN-PoE)
- 1 MultiSensor-RF with adapter
- 1 SlimLine patch cable 5m
- 1 Kentix360 SIM-Karte

Upgrade to AlarmManager-PRO possible any time!

- Rack and room monitoring up to 4.000m²
- Up to 200 wireless sensors
- SMS / E-mail / SNMP
- Up to 10 alarm recipients

More info on the system components on pages 30+31

StarterSet-PRO

Security for distributed IT rooms according to ISO 27001 with GSM alarm center



Delivery content

StarterSet-PRO:

- 1 AlarmManager-PRO (LAN-PoE)
- 1 MultiSensor-RF with adapter
- 1 MultiSensor-DOOR
- 1 SlimLine patch cable 5m
- 1 Kentix360 SIM-Karte

- Rack and room monitoring up to 10.000m², expandable for distributed sites
- Up to 500 sensors (wireless and LAN)
- SMS / E-mail / SNMP / Push
- Up to 1.000 alarm recipients

System components



Device	AlarmManager-PRO	AlarmManager-BASIC	MultiSensor-LAN-RF	MultiSensor-LAN
Type	KAM-PRO	KAM-BASIC	KMS-LAN-RF	KMS-LAN
Function	GSM alarm and control center for MultiSensor, KeyPad, accessories	GSM alarm and control center for MultiSensor, KeyPad, accessories	Multifunctional sensor with ethernet and ZigBee radio as repeater	Multifunctional sensor with ethernet
Room/site size	Up to approx. 10.000m ²	Up to approx. 4.000m ²	20m ² , IT rack	20m ² , IT rack
Number of connectable MultiSensors	500	200 (wireless)	25 (wireless)	-
Configuration	Web server (HTTPS)	Web server (HTTPS)	Web server (HTTPS)	Web server (HTTPS)
Smartphone app	✓	✓	✓	✓
Integrated web server (HTTPS)	✓	✓	✓	✓
Integrated LTE modem (4G)	✓	✓	✗	✗
Server monitoring (live check)	✓	✓	✗	✗
Stand-alone-capable without AlarmManager	✗	✗	✗	✓
Video recording IP camera (HTTP/S)	✓	✓	✓	✓
SMS alarms	✓	✓	✗	✗
E-mail alarms	✓	✓	✓	✓
VDS 2465-S2 alarming (TCP)	✓	✗	✗	✗
SNMP Trap (V2/3)	✓	✓	✓	✓
SNMP MIB (V2/3)	✓	✓	✓	✓
Data logging with long time memory	✓	✓	✓	✓
Alarm outputs (Open Collector)	4	4	2	2
Alarm input (potential-free)	4	4	2	2
Connection for LeakageSensor	✓	✓	✓	✓
PoE (Power over Ethernet)	✓	✓	✓	✓
External power supply	✓	✓	✓	✓
Integrated UPS	✓	✓	✗	✗
LAN connection (10/100Mbit)	✓	✓	✓	✓
ZigBee (radio)	✓	✓	✓	✗
Kentix system socket	✓	✓	✓	✓
Connection to Kentix system socket	✗	✗	✗	✗
Sabotage monitoring	✓	✓	✓	✓
Sensor - Temperature (0-99°C)	✓	✓	✓	✓
Sensor - Relative humidity (0-100%)	✓	✓	✓	✓
Sensor - Dew point (°C)	✓	✓	✓	✓
Sensor - Carbon monoxide (CO >20ppm)	✗	✗	✓	✓
Sensor - Motion	✗	✗	✓	✓
Sensor - Vibration (shock)	✓	✓	✓	✓
Voltage control	✓	✓	✗	✗
SD card slot (Micro SD)	✓	✓	✓	✓
RFID (MIFARE®, Legic®, Hitag)	✗	✗	✗	✗
Size (L x W x H in mm)	110 x 120 x 45	110 x 120 x 45	90 x 90 x 45	90 x 90 x 45

MultiSensor-RF	MultiSensor-DOOR	KeyPad-Touch	I/O Module	LeakageSensor	Sounder
KMS-RF	KMS-DOOR	KKPT	KIO7052/53	KLS03	KFLASH
Multifunctional sensor with ZigBee radio	Multifunctional sensor for the detection of unauthorized access	Touch keypad for access control via PIN or RFID	Extension module for the connection of external alarms	Sensor for the detection of water ingress	Flash alarm siren for visual and acoustic signaling of alarms
20m ² , IT rack	Door, window, rack	Door, room	External alarms	Up to 100m ² , floor	Room
-	-	-	-	-	-
- AlarmManager	- AlarmManager	- AlarmManager	Web server AlarmManager	AlarmManager, MultiSensor-LAN	AlarmManager, MultiSensor-LAN
✗	✗	✗	✗	✗	✗
✗	✗	✗	✓	✗	✗
✗	✗	✗	✗	✗	✗
✗	✗	✗	✗	✗	✗
✗	✗	✗	✗	✗	✗
✗	✗	✗	✗	✗	✗
✗	✗	✗	✗	✗	✗
✗	✗	✗	✗	✗	✗
✗	✗	✗	✗	✗	✗
✓ (KAM)	✓ (KAM)	✗	✓ (KAM-PRO)	✗	✗
2	✗	✗	8 / 0	✗	✗
2	✗	✗	8 / 16	✗	✗
✓	✗	✗	✓	✗	✗
✗	✗	✗	✓	✗	✗
✓	Battery (Li)	Battery (AAA)	✓	✓	✓
✓	✗	✗	✗	✗	✗
✗	✗	✗	✓	✗	✗
✓	✓	✓	✗	✓	✗
✓	✗	✗	✗	✗	✗
✓	✗	✗	✗	✗	✗
✓	✗	✗	✗	✗	✗
✓	✗	✗	✗	✗	✗
✓	✗	✗	✗	✗	✗
✓	✗	✗	✗	✗	✗
✗	✗	✗	✗	✗	✗
✗	✗	✓	✗	✗	✗
90 x 90 x 45	27 x 62 x 27	90 x 135 x 19	72 x 123 x 35	80 x 80 x 80	Ø93, H123

Application example: Data center with adjoined utility rooms

Central monitoring of a data center with 300 sqm and several server racks as well as UPS and climate systems that are to be integrated via existing signal contacts

For the data center, a Kentix AlarmManager-PRO and several MultiSensor-LAN are required. The MultiSensors are connected to a PoE switch via the existing infrastructure and are mounted on the server room ceiling with mounting brackets. All measured values are sent to the AlarmManager via the network. One MultiSensor-LAN covers an area of up to 20sqm. In each utility room, one MultiSensor-LAN is used. In order to monitor potential water ingress,

a LeakageSensor is connected to the MultiSensor. External sites such as climate or UPS systems are integrated via an I/O Module.

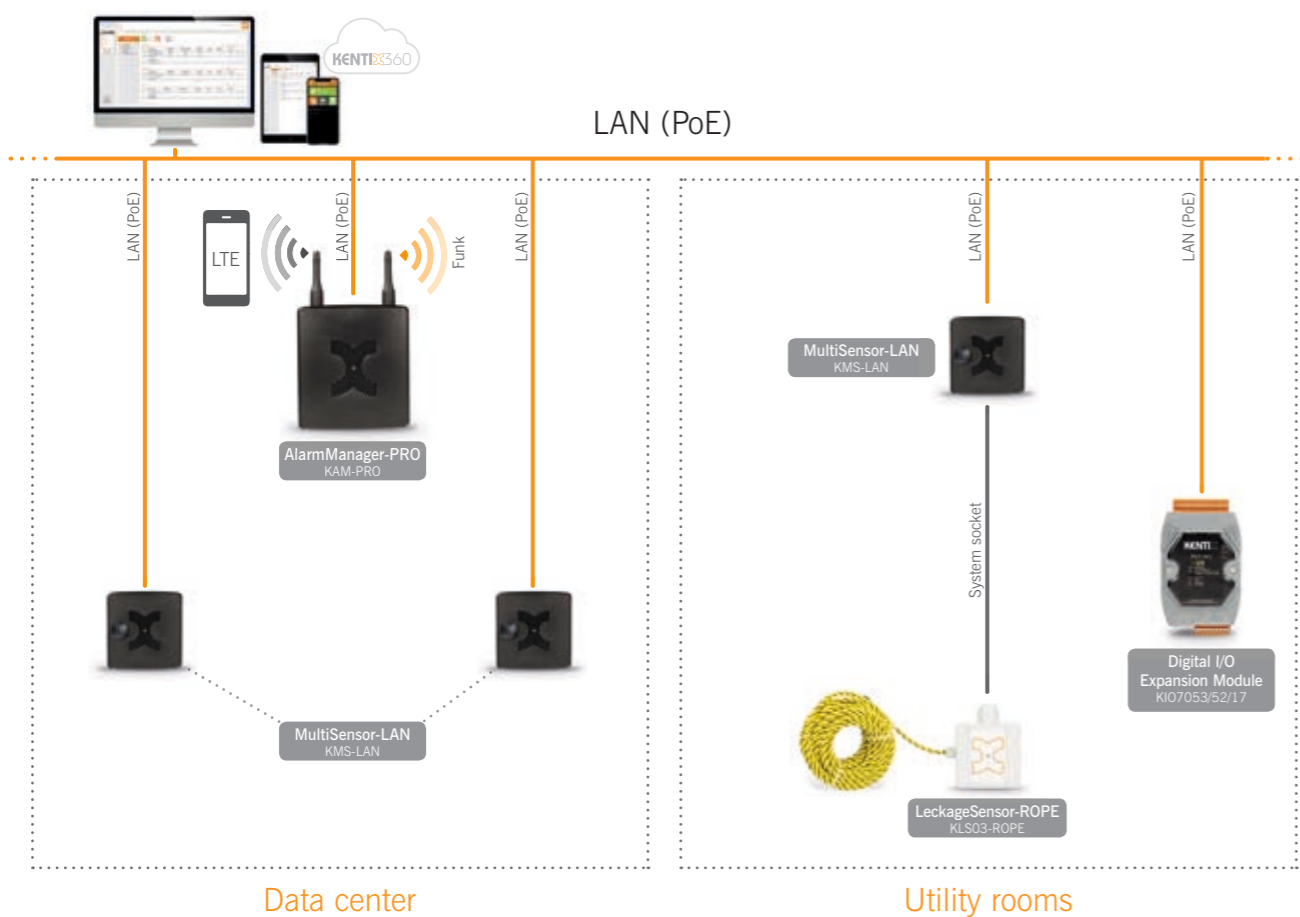
The monitoring can also happen via external network monitoring if desired. In this case, the AlarmManager provides all measured values and system states via the SNMP interface.

Parts list/Order assistance Data Center

Type	Item number	Quantity
AlarmManager-PRO	KAM-PRO	1
MultiSensor-LAN	KMS-LAN	15

Parts list/Order assistance Utility rooms

Type	Item number	Quantity
MultiSensor-LAN	KMS-LAN	1 each
LeakageSensor	KLS03-ROPE	1 each
I/O Module	KIO7053/52/17	1 each



Application example: Container data center

Scalable monitoring solution for container or outdoor data centers in which systems with high availability requirements are operated

For the first container, an AlarmManager-PRO plus a MultiSensor-RF are required. The MultiSensor is supplied with power via a separate power adapter and mounted on the container ceiling with mounting brackets. It is connected to the AlarmManager with a patch cable. All measured data are transmitted via radio to the AlarmManager. A LeakageSensor monitors potential water ingress and a KeyPad on the interior logs all access to the container. Additional con-

tainers that are connected via the infrastructure can easily be integrated into the system. In each one of them, a MultiSensor-LAN-RF plus LeakageSensor and KeyPad is used. The MultiSensor is connected via the network to a PoE-enabled switch.

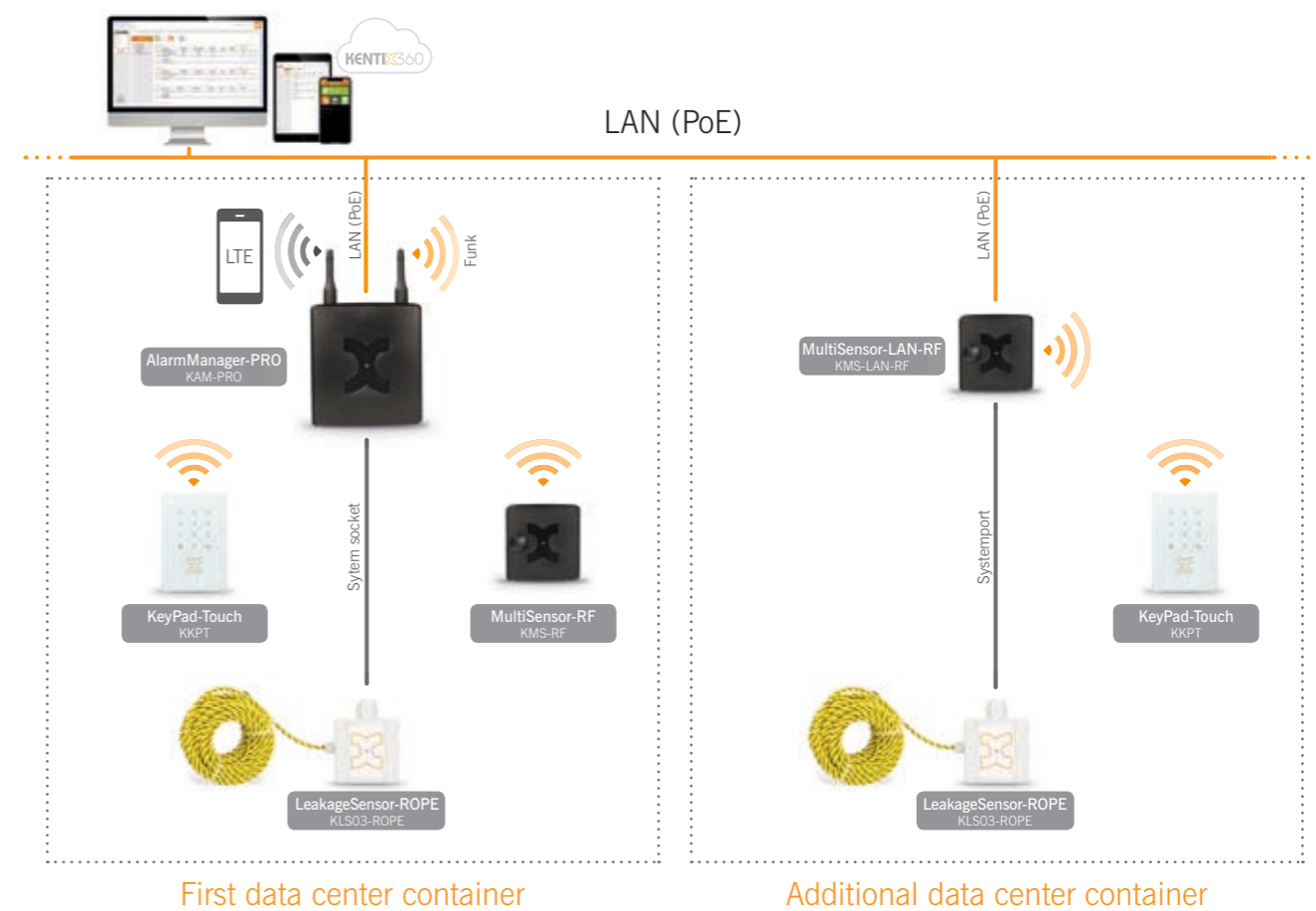
The monitoring of the entire system happens centrally via the AlarmManager. Integrating it into a central monitoring tool is also possible.

Parts list/Order assistance First Container

Type	Item number	Quantity
AlarmManager-PRO	KAM-PRO	1
MultiSensor-RF	KMS-RF	1
LeakageSensor	KLS03-ROPE	1
KeyPad-Touch	KKPT	1

Parts list/Order assistance Additional containers

Type	Item number	Quantity
MultiSensor-LAN-RF	KMS-LAN-RF	1 each
LeakageSensor	KLS03-ROPE	1 each
KeyPad-Touch	KKPT	1 each





Access simply IP-networked – with the ingeniously easy online access control system for professionals

Who has access when and where? Manage access easily at all times – including video recording. With the Kentix DoorLock®, it only takes few components and little mounting efforts in order to implement small as well as large access solutions cost-efficiently.

- 
RADIO
- 
VIDEO
- 
SNMP
- 
E-MAIL
- 
NFC
- 
APP

Kentix DoorLock®

– Access securely networked

Who has access to which rooms and at what time? With the Kentix DoorLock® you have full (access) control: With several variants of locking components and individual time-user-profiles, you establish an access solution according to your needs in no time. Due to the connection to the Kentix360 Cloud, you have all of your rooms at a glance at all times – even on the go via app for smartphone or tablet. And if a problem does occur after all, Kentix informs you immediately and reliably so that you can act as quickly as possible.

The advantage of the Kentix access control system is the easy networking and integration into IT networks. Retrofitting doors is simple and can be done without special tools or additional constructional measures. The Kentix DoorLock® includes wireless as well as wired components that can be put together to one centrally managed system. This way, you can implement small as well as large access systems with little mounting efforts for any application.

Access control with video recording
If desired, any door in the system can be connected to an IP camera that will be triggered any time the door is unlocked or tampered with. The recorded image series is saved together with the according user data. Non-authorized access attempts are immediately e-mailed to the responsible persons with the picture series attached.

- Application possibilities:**
- Office and administrative rooms
 - Industry, production and warehouse facilities
 - Container sites and distributed properties
 - Server rooms, data centers and IT cabinets
 - Hospital, laboratories and medicine cabinets
 - Mission-critical Infrastructure

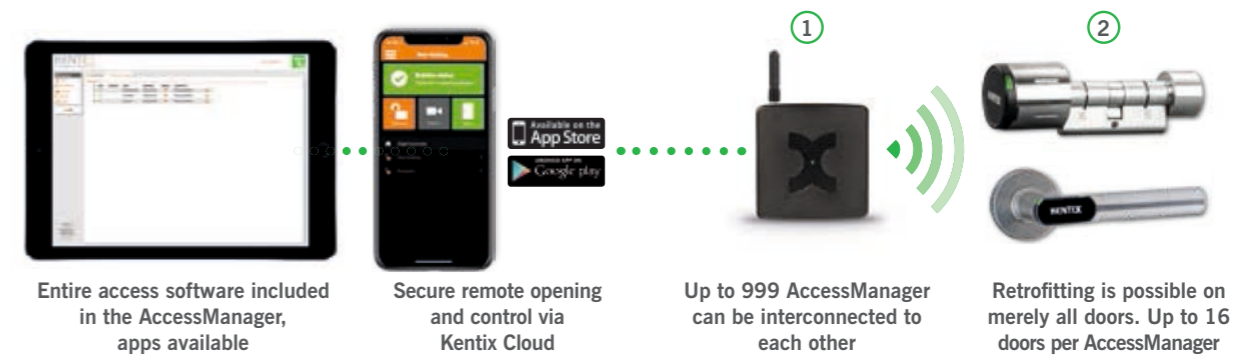


STARTERSET-DOORLOCK – THE EASIEST STARTER SOLUTION FOR YOUR INTRODUCTION TO ONLINE ACCESS CONTROL

AccessManager, Wireless Door Knob and Master Card Set

▶ For more info on the StarterSets see page 66

With the AccessManager ① and a wireless locking component ②, a complete remote controllable access solution can be set up without great mounting efforts.



Entire access software included in the AccessManager, apps available

Secure remote opening and control via Kentix Cloud

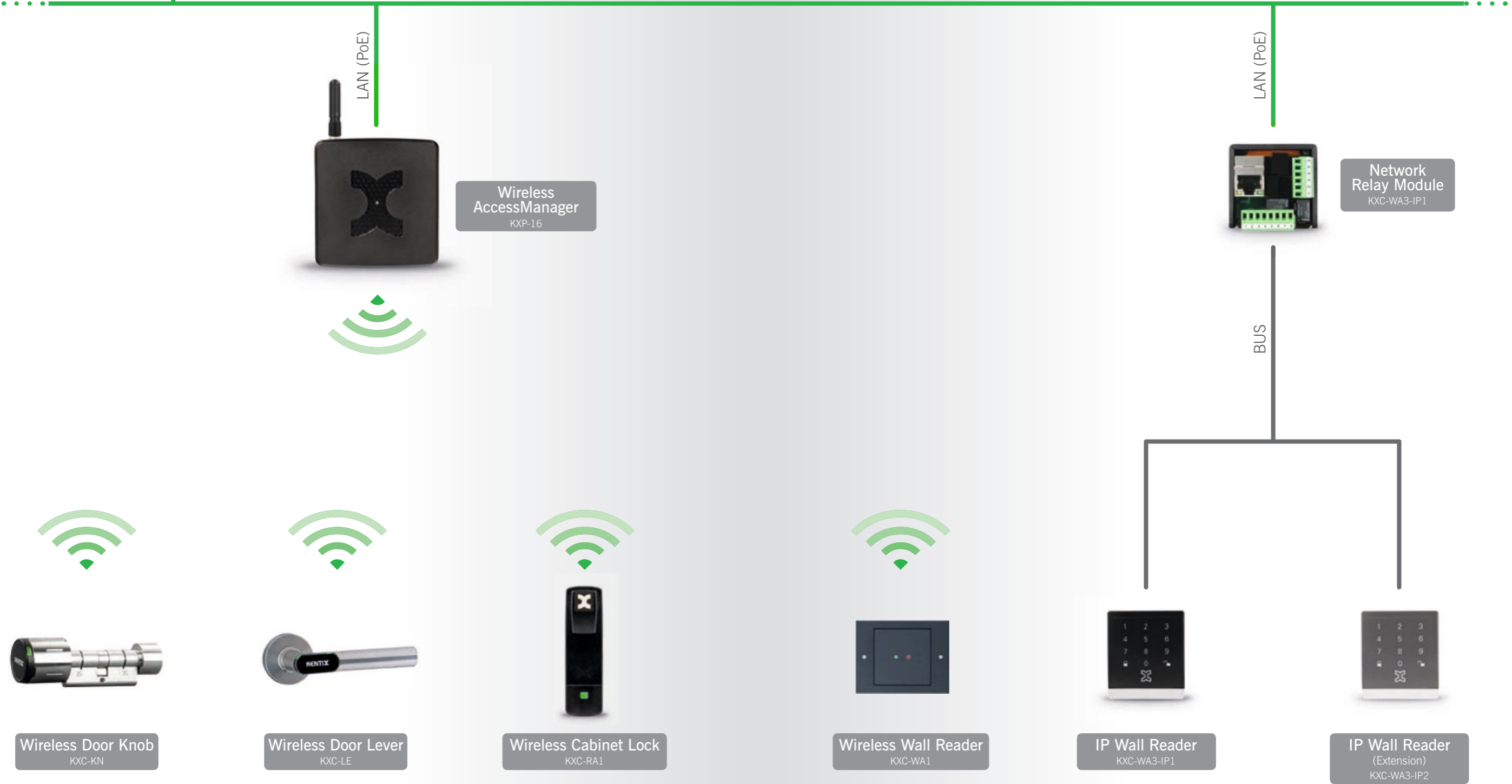
Up to 999 AccessManager can be interconnected to each other

Retrofitting is possible on merely all doors. Up to 16 doors per AccessManager

All system components at a glance – easy networkability for 360° Smart Access



LAN (PoE)



Everything at a glance – anytime and from anywhere

With the AccessManager, you set up a complete IT networkable access solution in no time. Due to the interconnection of several AccessManager, basically any arbitrary number of doors can be connected to one system, even across different locations. Via your web browser, you set up time and user profiles, unlock doors remotely and have the entire access log at a glance always. No additional software is required for the configuration.

The access log book offers an overview of all access including failed attempts to unlock a door (for example due to a lack of sufficient authorization). This way, you can always see who has entered a room. With easy filter functions you can limit the selection to specific days, doors and users.

With the help of access and time profiles you can determine in detail which user is authorized to open which doors and at what times. An access profile is always connected to a selected time profile and to one or several doors. Each user can be assigned any desired number of access profiles. This creates maximum flexibility even in larger systems without making it complicated or confusing.



With the integrated Cloud solution Kentix360 you have your system at a glance even on the go - no matter when or where. Your service provider is by the door but nobody is there to open it for them? An employee forgot their RFID token at home? Simply unlock the door via remote control. Moreover, with the app for smartphone and tablet you can arm or disarm alarm zones via the Kentix AlarmManager. Potential attempts of sabotage can also be seen in the system with the Kentix360 Cloud so that you can act as quickly as possible in case of a threat.

#	Datum und Uhrzeit	DoorLock	Benutzer	Benutzungsstatus	Detail
1	2019-07-19 08:55:27	Office	Carl Struss	✓	
2	2019-07-19 08:55:38	Office	John Smith	✓	
3	2019-07-19 08:55:39	Office	Andreas Lorenz	✓	
4	2019-07-19 08:55:42	Office	John Smith	✓	
5	2019-07-19 08:57:15	Office	John Smith	✓	
6	2019-07-19 08:58:02	DoorLock 1	John Smith	✓	
7	2019-07-19 08:58:45	DoorLock 1	John Smith	✗	Keine Türeröffnung
8	2019-07-19 08:58:58	DoorLock 1	John Smith	✗	Keine Türeröffnung
9	2019-07-19 08:59:18	DoorLock 1		✗	RFID eingesteckt (Nichtabgeholt)

Access log book

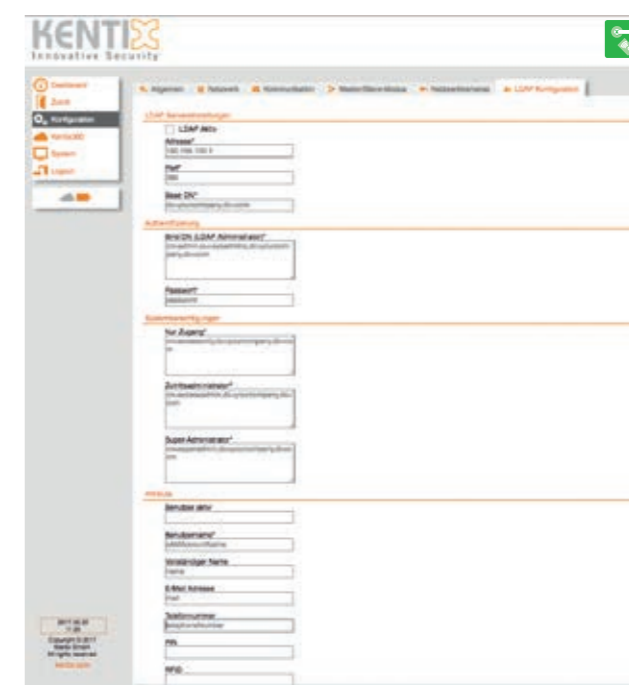
Name	DoorLock	Startzeit	Endzeit	Wochentag
John Smith	Office	08:00	18:00	Mo-Fr

Time profile

Making access management even easier: Integration of Microsoft Active Directory (AD) and LDAP

The Kentix DoorLock offers the integration of the directory services Microsoft Active Directory (AD) and LDAP. The authorization accounts in the Kentix DoorLock are simply imported and synchronized which saves time and costs with the access management. Authorizations are therefore managed centrally and are granted or denied by means of user profiles.

The web-based login to the Kentix access system always happens via the authentication with the directory service; thereby multiple passwords become a thing of the past. Aside from the mere authorization, you can also determine centrally via Active Directory who has access where and when. If an employee's role in the company changes, the access control system receives this information automatically from the central server. This makes access management a lot easier even for companies that have ever-changing users and authorizations. Due to a simple regular comparison and short updates via Active Directory, the system administrator can manage even ever-changing authorizations with little effort.



Importing CSV files with user data is also possible. Therefore, large amounts of users can be imported into the Kentix DoorLock system easily and quickly, even with new systems that have no connection to directory services.



Control is good, video is better

If desired, the Kentix DoorLock integrates IP cameras. When someone unlocks a door with an RFID medium or tampers with the locking component, an IP camera is triggered that records a series of pictures. These pictures are saved in the log book and can be accessed any time via the according entry. Thereby, any door in the system can be connected to an IP camera so that beside the usual user data, any access is combined with a video sequence.



Wireless AccessManager

With the wireless DoorLock AccessManager you can easily manage time-user-profiles even for large projects. One AccessManager manages up to 16 doors and 5.000 users with time authorization profiles via web browser (HTTPS). Altogether, up to 999 AccessManager can be connected to one system of more than 15.000 doors. Power is supplied via Power over Ethernet (PoE). The integration of Microsoft Active Directory (AD) and LDAP makes access management particularly comfortable and the connection to the Kentix360 Cloud enables the control of the entire system from anywhere and at any time via app.



Products

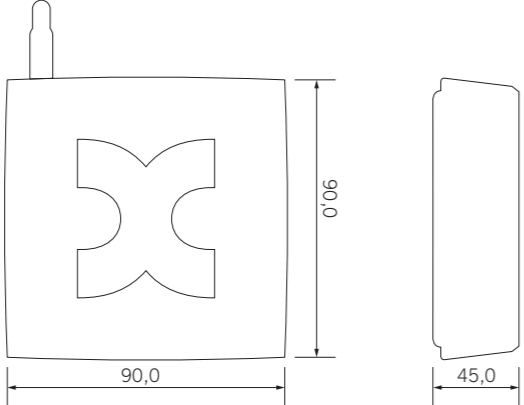
Type	Housing color	Item number
Wireless AccessManager	Black	KXP-16-B
Wireless AccessManager	White	KXP-16-W

Accessories

Type	Item number
PoE Injector	KPOE150S
I/O Module with relay	KIO3
Gain Magnet Antenna	KXP-ANT-EXT1
USB Dektop Reader	KXC-DR1-MIFARE

Technical Details

Connectivity	LAN (PoE) – Integrated web server, a total of 999 Kentix AccessManager interconnectable
LAN	10/100 Mbit, integrated web server, communication ports: 80/443
Radio	868 MHz, encryption AES 128 Bit
Number of doors	Up to 16 wireless DoorLocks (doors) programmable
SD card	Micro SD card slot for cards up to 128GB
Kentix system socket	RJ45, for connecting external Kentix plug'n'play modules
Switch output (system socket)	2x Open Collector 0.1A/24V, optional: I/O Module (KIO3) 2x switch relay 1A/24V
Alarm input (system socket)	2x alarm input (potential-free), optional: I/O Module (KIO3)
SNMP	SNMP (V2/3), SNMP Traps (V2/3)
Power supply	PoE 12-72VAC/DC power consumption approx. 1.5W, PoE Class 1
Housing	Protection class IP20, 90 x 90 x 45 mm; weight approx. 100g; colors: black, white
Environmental conditions	Temperature 0 – 50°C, humidity 5-95%, non-condensing
Delivery content	AccessManager, antenna, mounting bracket, mounting material, 3m SlimLine cable
Audits	CE



Wireless Door Fitting
see page 50

Wireless Door Knob DoorLock -DC

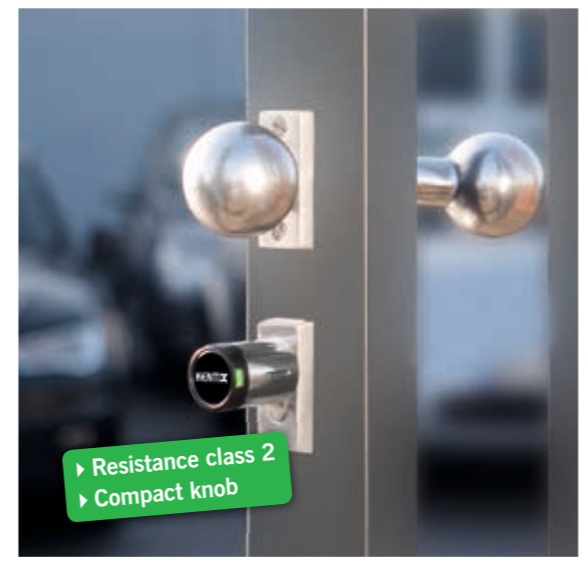


- RADIO
- RFID
- BATT

Thanks to the installation of the wireless Door Knob with a Euro profile cylinder, conventional DIN Euro profile locks can be used and practically no constructional measures are required. The Wireless Door Knob is suitable for all standard locks with DIN Euro profiles. Thereby, it is a cost-efficient solution for new as well as existing buildings. Different RFID mediums in MIFARE® DESFire® technology are available as keys. The Door Knob runs on two batteries (CR2) that can only be changed or removed with a special authorization in order to prevent tampering.



DoorLock-DC PRO - compact radio knob for interior and exterior doors



The DoorLock-DC PRO (KXC-KN4) is equipped with an electrically free-standing knob (approx. 31mm) on one side and one mechanically fixed knob on the other side. The electronics is completely internal and the knob is nickel-plated in brass. The KN4 is available in two versions, one for indoor and one for outdoor use. Both variants have resistance class 2 according to DIN 18252 and couple somewhat faster. The KN4 is therefore suitable for end doors or doors with increased access frequency or increased safety are particularly well suited. The variant for external doors (IP66) also has an additional Weather protection. The DoorLock-PRO is very easy to install due to the small electronic knob is particularly suitable for metal frame doors, since Even with small backset dimensions, there is sufficient clearance to open the Door is.

Products

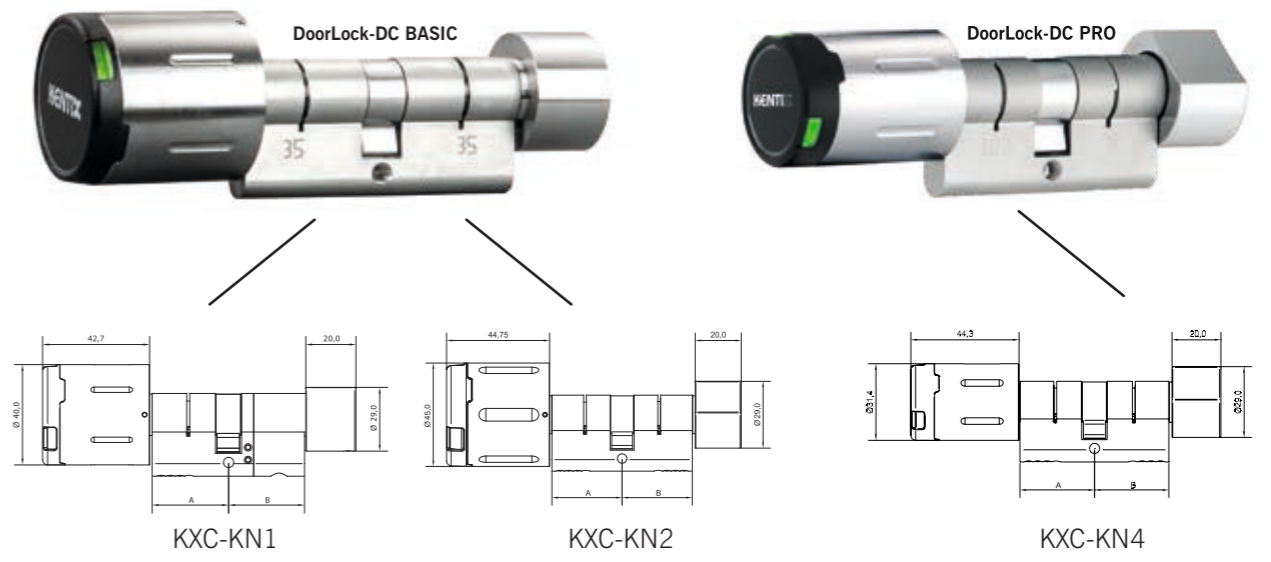
Type	Protection class	Item number
DoorLock-DC BASIC for interior doors	IP65	KXC-KN1
DoorLock-DC BASIC for exterior doors	IP66	KXC-KN2
DoorLock-DC PRO for interior doors	IP55	KXC-KN4-IP55
DoorLock-DC PRO for exterior doors	IP66	KXC-KN4-IP66

Accessories

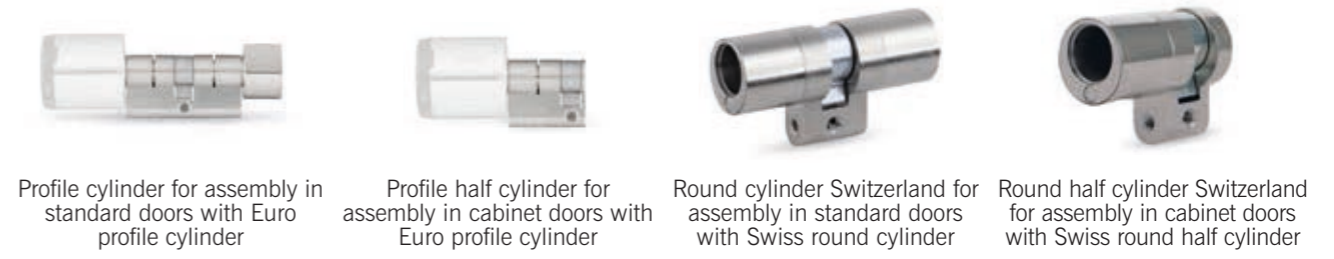
Type	Delivery content	Item number
Low Power Adapter	1 piece	KXC-BAT2
Spare batteries	2 pieces	KXC-CR2-2

Technical Details

Function	Electronic door knob with RFID and wireless networking
Room/site size	One door for interiors or exteriors or both respectively
Radio frequency	868 MHz, encryption AES 128 Bit
Battery life (transactions/years)	Up to 45.000 transactions or 4 years
RFID reader	MIFARE® DESFire® 13,56MHz
Temperature range	-20°C up to +65°C
Configuration	Via Kentix AccessManager (KXP-16-B/W)
Radio range	Approx. 25m
Batteries	KXC-KN1/2 x CR2 (3V), KXC-KN4 1x CR2 (3V)
Profile cylinder	DIN18252, different lengths available starting at 30 mm in 5 mm increments
Size	See dimension drawing on the right
Protection class	KXC-KN1 (IP55), KXC-KN2 (IP66), KXC-KN4-IP55 (IP55), KXC-KN4-IP66 (IP66)
Delivery content	Wireless Door Knob, Batteries
Audits	CE, DIN15684



Hint: Always include the matching profile cylinder in your order.



You will find an ordering assistance on how to measure your cylinder on the following pages.

Ordering assistance for Kentix DoorLock-DC

(Door Knob + Profile cylinder)

Easy selection of the Wireless Door Knob with matching profile cylinder in two steps



1

Select required
Wireless Door Knob



2

Select profile cylinder
matching the door

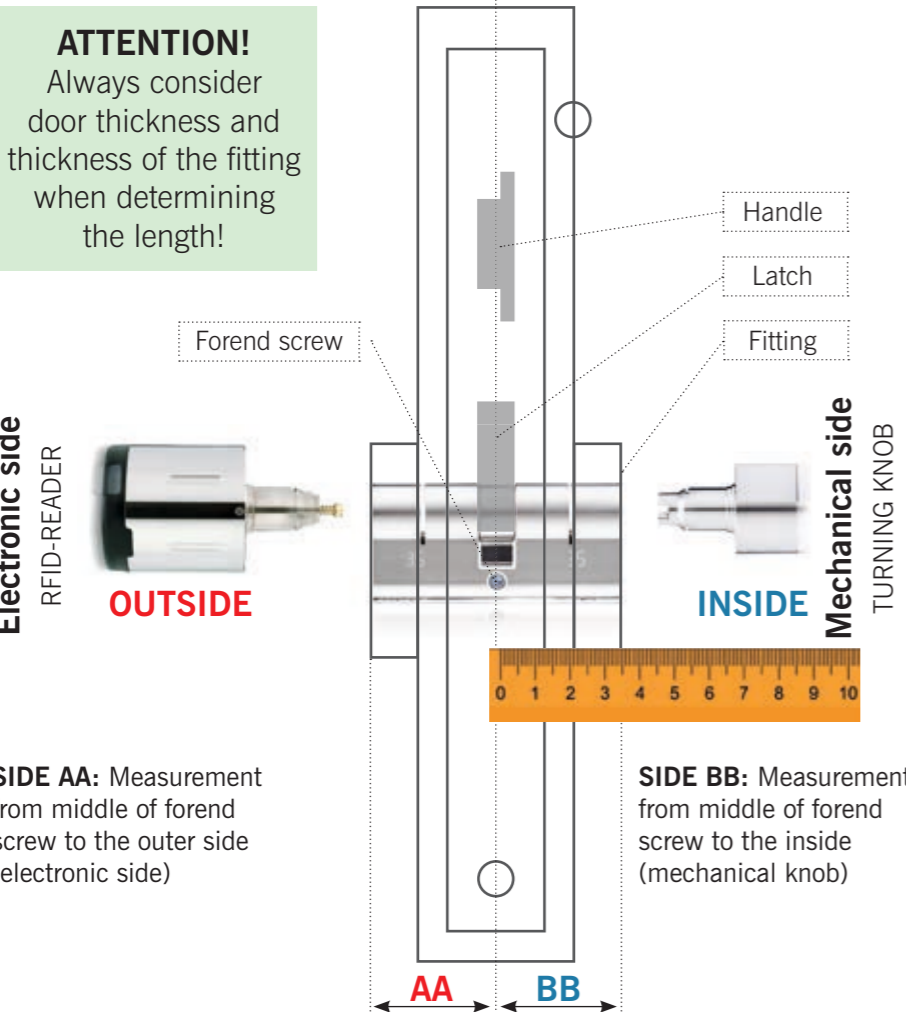


Only one Master Card Set
required per site

Measuring the door panel for the profile cylinder

ATTENTION!
Always consider door thickness and thickness of the fitting when determining the length!

Electronic side



Mechanical side

When determining the required cylinder length, the thickness of the fitting in use always has to be added to the door thickness. Always select the **next higher measurement** to what you measured in **5 mm** increments. Beginning at the **basic dimension of 30 mm** for profile cylinders or **32 mm** for Swiss round cylinders respectively per side (**AA/BB**), up until the maximum length of 70 mm or 72 mm respectively per side (**AA/BB**).

EXAMPLE 1	Measured:	AA = 30.5 mm	BB = 38 mm	Total length = 75 mm, select version of up to 80 mm
	Order length:	AA = 35 mm	BB = 40 mm	
	Kentix item numbers:	KXC-80- AABB KXC-80- 3540 KXC-80CH- 3242	(AA=Electronic side / BB=Mechanical side) Item number for profile cylinder of up to 80 mm total length Item number for round cylinder (Switzerland) of up to 84 mm total length	
EXAMPLE 2	Measured:	AA = 46.5 mm	BB = 65 mm	Total length = 115 mm, select version of up to 140 mm
	Order length:	AA = 50 mm	BB = 65 mm	
	Kentix item numbers:	KXC-140- AABB KXC-140- 5065 KXC-140CH- 4767	(AA=Electronic side / BB=Mechanical side) Item number for profile cylinder of up to 140 mm total length Item number for round cylinder (Switzerland) of up to 144 mm total length	


1 Select Wireless Door Knob – Interior door, exterior door or compact



Select Wireless Door Knob	Item number
DoorLock-DC BASIC for interior doors (IP55)	KXC-KN1
DoorLock-DC BASIC for exterior doors (IP66)	KXC-KN2
DoorLock-DC PRO for interior doors (IP55)	KXC-KN4-IP55
DoorLock-DC PRO for exterior doors (IP66)	KXC-KN4-IP66

2 Select profile cylinder – length and function

Electronic side



Turning knob

Item number: KXC-80-**AABB** 30-50 mm 30-50 mm possible total length 60 - 80 mm (AA+BB)

Item number: KXC-140-**AABB** 30-70 mm 30-70 mm possible total length 85 - 140 mm (AA+BB)

Profile cylinder for standard doors with Euro profile cylinder: Select matching length	Item number
Profile cylinder standard up to 80 mm cylinder length with mechanical turning knob, incl. forend screw	KXC-80-AABB
Profile cylinder standard up to 140 mm cylinder length with mechanical turning knob, incl. forend screw	KXC-140-AABB
Profile cylinder with anti-panic-function up to 80 mm cylinder length and mech. turning knob, forend screw	KXC-80AP-AABB
Profile cylinder with anti-panic-function up to 140 mm cylinder length and mech. turning knob, forend screw	KXC-140AP-AABB
Profile half cylinder up to 50 mm, incl. forend screw	KXC-50-AA
Profile half cylinder up to 50 mm with spring reset LEFT, incl. forend screw	KXC-50-AA-SRL
Profile half cylinder up to 50 mm with spring reset RIGHT, incl. forend screw	KXC-50-AA-SRR
Round cylinder (Switzerland) for standard doors with Swiss round cylinder: Select matching length	Item number
Round cylinder (Switzerland) standard up to 84 mm cylinder length with mech. turning knob, forend screw	KXC-80CH-AABB
Round cylinder (Switzerland) standard up to 144 mm cylinder length with mech. turning knob, forend screw	KXC-140CH-AABB
Round half cylinder (Switzerland) up to 50 mm, incl. forend screw	KXC-50CH-AA

SPECIAL LENGTHS UPON REQUEST!

Possible lengths profile cylinder:	Possible length Swiss round cylinder:
AA BB	AA BB
30 30	32 32
35 35	37 37
40 40	42 42
45 45	47 47
50 50	52 52
55 55	57 57
60 60	62 62
65 65	67 67
70 70	72 72

Type Wireless Door Knob Version

1	KXC-KN1	DoorLock-DC BASIC for interior doors (IP55)
	KXC-KN2	DoorLock-DC BASIC for exterior doors (IP66)
	KXC-KN4-IP55	DoorLock-DC PRO for interior doors (IP55)
	KXC-KN4-IP66	DoorLock-DC PRO for exterior doors (IP66)

Type profile cylinder Max. total length (AA + BB in mm) Version Length outside (mm) Length inside (mm)

2	KXC-	80	- (Standard)	AA	BB
		140	AP- (Anti-Panic)		
		144	CH- (Switzerland)		

POS	Door name	WIRELESS KNOB		PROFILE CYLINDER		
		Type Interior/Exterior/Compact	Type max. total length	version	AA (mm)	BB (mm)
-	Sample door entrance	<input checked="" type="checkbox"/> KXC-KN1 (IP55) <input type="checkbox"/> KXC-KN2 (IP66) <input type="checkbox"/> KXC-KN4 (IP55) <input type="checkbox"/> KXC-KN4 (IP66)	<input type="checkbox"/> KXC-50 (Half cylinder) <input checked="" type="checkbox"/> KXC-80 <input type="checkbox"/> KXC-140	<input checked="" type="checkbox"/> - <input type="checkbox"/> AP- <input type="checkbox"/> CH-	41 45	56 60
1		<input type="checkbox"/> KXC-KN1 (IP55) <input type="checkbox"/> KXC-KN2 (IP66) <input type="checkbox"/> KXC-KN4 (IP55) <input type="checkbox"/> KXC-KN4 (IP66)	<input type="checkbox"/> KXC-50 <input type="checkbox"/> KXC-80 <input type="checkbox"/> KXC-140	<input type="checkbox"/> - <input type="checkbox"/> AP- <input type="checkbox"/> CH-		
2		<input type="checkbox"/> KXC-KN1 (IP55) <input type="checkbox"/> KXC-KN2 (IP66) <input type="checkbox"/> KXC-KN4 (IP55) <input type="checkbox"/> KXC-KN4 (IP66)	<input type="checkbox"/> KXC-50 <input type="checkbox"/> KXC-80 <input type="checkbox"/> KXC-140	<input type="checkbox"/> - <input type="checkbox"/> AP- <input type="checkbox"/> CH-		
3		<input type="checkbox"/> KXC-KN1 (IP55) <input type="checkbox"/> KXC-KN2 (IP66) <input type="checkbox"/> KXC-KN4 (IP55) <input type="checkbox"/> KXC-KN4 (IP66)	<input type="checkbox"/> KXC-50 <input type="checkbox"/> KXC-80 <input type="checkbox"/> KXC-140	<input type="checkbox"/> - <input type="checkbox"/> AP- <input type="checkbox"/> CH-		
4		<input type="checkbox"/> KXC-KN1 (IP55) <input type="checkbox"/> KXC-KN2 (IP66) <input type="checkbox"/> KXC-KN4 (IP55) <input type="checkbox"/> KXC-KN4 (IP66)	<input type="checkbox"/> KXC-50 <input type="checkbox"/> KXC-80 <input type="checkbox"/> KXC-140	<input type="checkbox"/> - <input type="checkbox"/> AP- <input type="checkbox"/> CH-		
5		<input type="checkbox"/> KXC-KN1 (IP55) <input type="checkbox"/> KXC-KN2 (IP66) <input type="checkbox"/> KXC-KN4 (IP55) <input type="checkbox"/> KXC-KN4 (IP66)	<input type="checkbox"/> KXC-50 <input type="checkbox"/> KXC-80 <input type="checkbox"/> KXC-140	<input type="checkbox"/> - <input type="checkbox"/> AP- <input type="checkbox"/> CH-		
6		<input type="checkbox"/> KXC-KN1 (IP55) <input type="checkbox"/> KXC-KN2 (IP66) <input type="checkbox"/> KXC-KN4 (IP55) <input type="checkbox"/> KXC-KN4 (IP66)	<input type="checkbox"/> KXC-50 <input type="checkbox"/> KXC-80 <input type="checkbox"/> KXC-140	<input type="checkbox"/> - <input type="checkbox"/> AP- <input type="checkbox"/> CH-		

Wireless Door Lever
see page 48Wireless Door Knob
see page 42



Wireless Door Lever DoorLock-LE

The wireless Door Lever is compatible with merely all European lock standards. The different versions allow the use in all common doors, such as wood, steel and aluminum as well as narrow frame doors with a backset of more than 20 mm. It can be mounted easily and without special tools which makes retrofitting very simple. The handling is intuitive thanks to plain LED signaling. Moreover, the Door Lever offers a number of handy functions such as time switches/day access or permanent engagement (toggle function).



Technical Details

Function	Electronic door lever with RFID and wireless networking
Room/site size	One door
Radio frequency	868 MHz, encryption AES 128 Bit
Battery life (transactions/years)	Up to 100.000 transactions or up to 6 years
RFID reader	MIFARE® DESFire® 13,56MHz
Temperature range	-20°C up to +65°C
Configuration	Via Kentix AccessManager (KXP-16-B/W)
Radio range	Approx. 25m
Batteries	1x CR123 (3V)
Door thickness	32-56 mm (standard), optional up to 110 mm, ATTENTION: For doors thicker than 56 mm, please order matching square pin (8/8.5/9 mm)
Material	Lever in stainless steel
Audits	CE, DIN15684
Protection class	IP55/IP66 for interiors/exteriors available see ordering assistance
Delivery content	Radio door lever, mech. door lever, rosettes, batteries (1xCR123)

Accessories

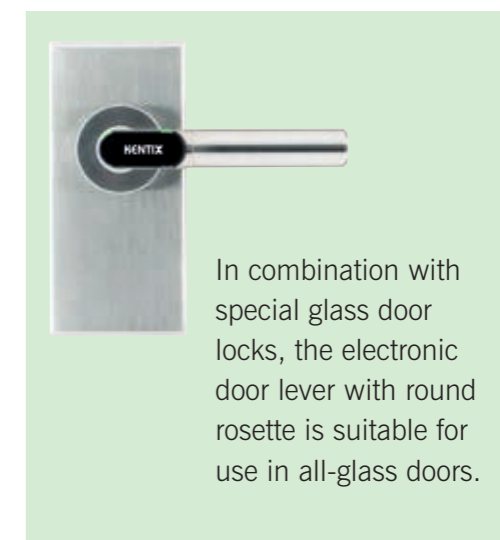
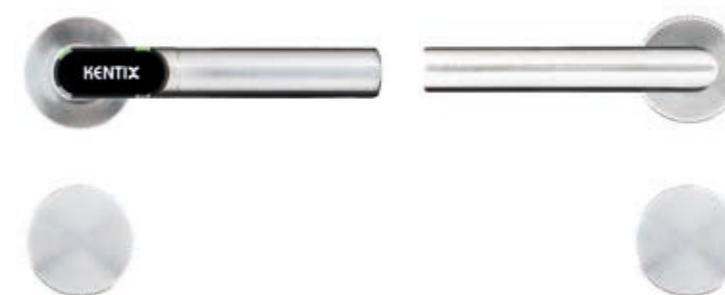
Type	Delivery content	Item number
Spare battery	1 piece	KXC-CR123

Select required product on page 54

Round rosette

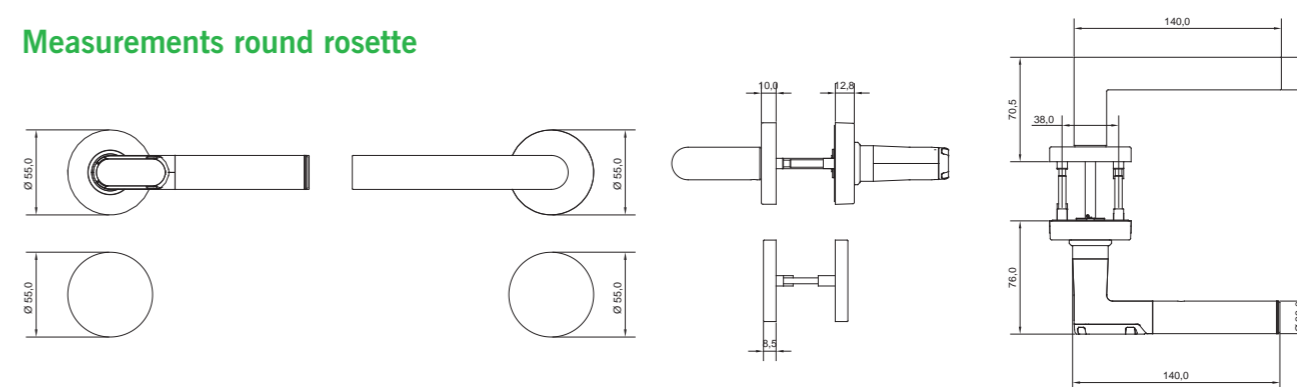
Electronic side

Mechanical side



The electronic door lever is available in a version with a round rosette. Additionally, a key rosette is available, either blind or with profile cylinder punch.

Measurements round rosette



Oval rosette

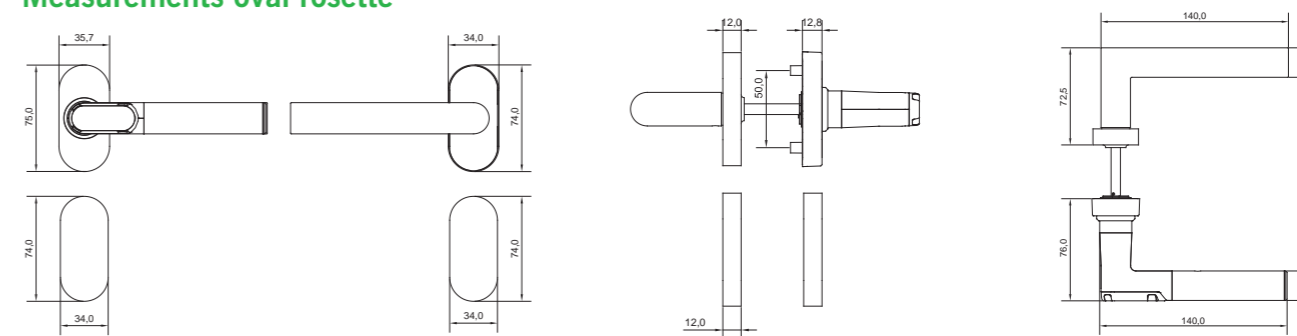
Electronic side

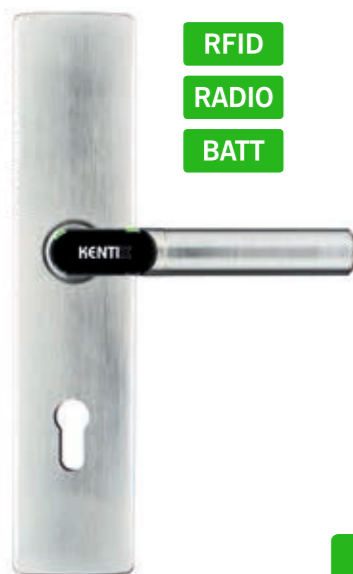
Mechanical side



The electronic door lever is available in a version with an oval rosette. Additionally, a key rosette is available, blind or with profile cylinder punch. The electronic door lever with oval rosette is particularly suitable for tubular frame doors.

Measurements oval rosette





- RFID
- RADIO
- BATT

Wireless Door Fitting DoorLock-LE

The wireless Door Fitting can be mounted in merely all standard doors without cabling or special tools. Existing DIN holes can usually be used. The Door Fitting manages all access electronically and can be controlled offline or online via a radio network. It integrates smoothly into the Kentix DoorLock portfolio and is available in different versions, for example for fire doors.



Technical Details

Function	Electronic door fitting with RFID and wireless networking
Room/site size	One door
Radio frequency	868 MHz, encryption AES 128 Bit
Width door fitting	Wide: 64,4 mm; Slim: 42,4 mm
Protection class	IP55 for interiors
Material lever	Stainless steel
Door thickness	32-56 mm; ATTENTION: For doors thicker than 56 mm, please order matching square pin (8/8,5/9 mm)
Battery life (transactions/years)	Up to 100.000 transactions or up to 6 years
RFID reader	MIFARE® DESFire® 13,56MHz
Temperature range	-20°C up to +65°C
Configuration	Via Kentix AccessManager (KXP-16-B/W)
Radio range	Approx. 25 m
Batteries	1x CR123 (3V)
Audits	CE, DIN15684
Delivery content	Wireless Door Fitting, mechanical door fitting, incl. batteries (1x CR123)

Accessories

Type	Delivery content	Item number
Spare battery	1 piece	KXC-CR123

Door Fitting wide

Electronic side

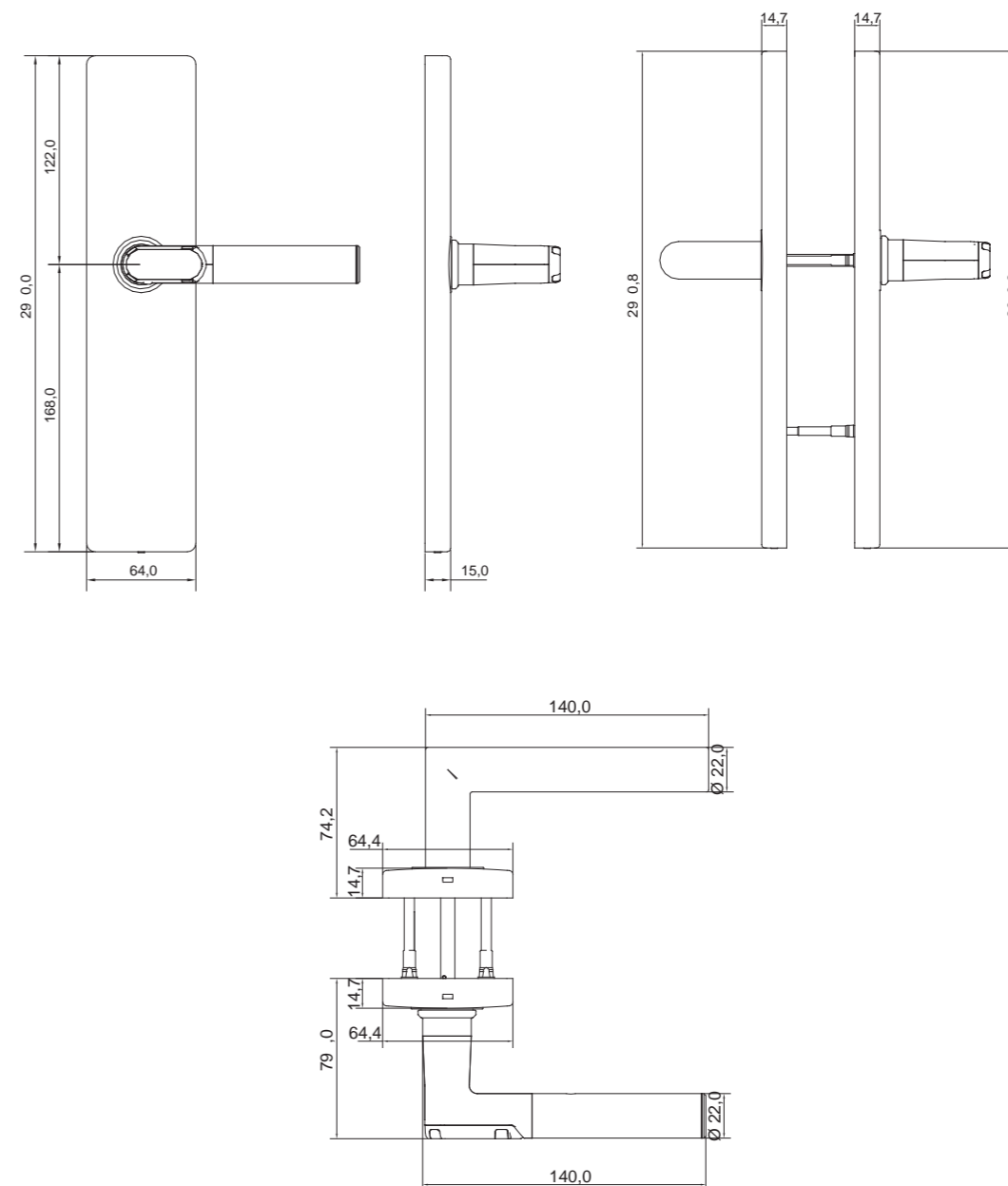


Mechanical side



The electronic door fitting is available in a wide version, either in a blind version or with a profile cylinder punch. It is particularly suitable for present doors in case existing holes in the door are to be covered.

Measurements Door Fitting wide



Door Fitting slim

Electronic side

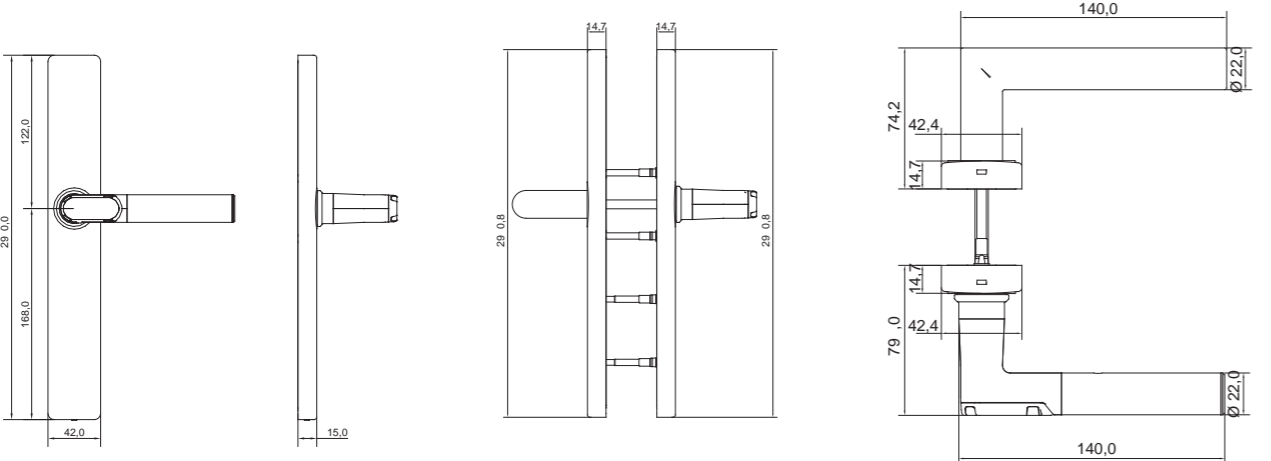


Mechanical side



The electronic door fitting is available in a slim version, either in blind version or with profile cylinder punch. The electronic fitting in the slim version is particularly suitable for tubular frame doors.

Measurements Door Fitting slim



Door Fitting Short Plate

Electronic side

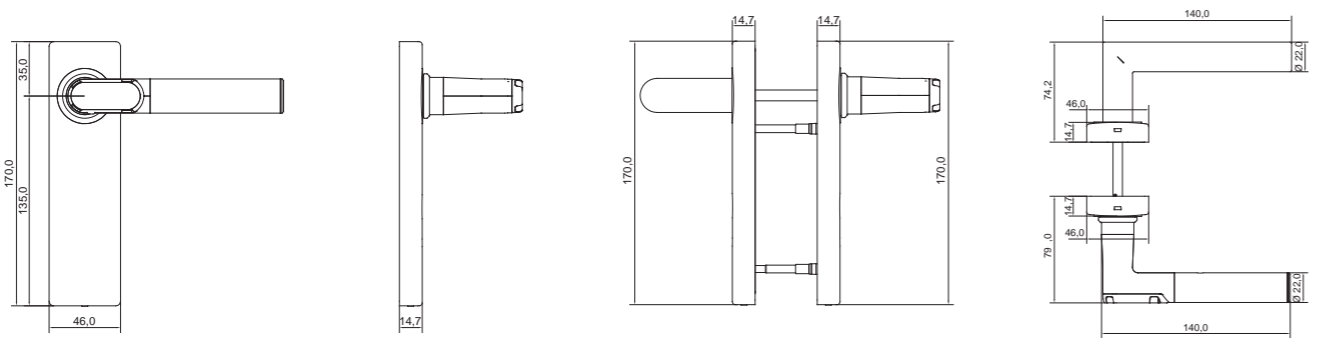


Mechanical side



The electronic door fitting is available in a short plate version, either in blind version or with profile cylinder punch. The electronic door fitting with short plate is particularly suitable for the use in fire and smoke protection doors and can be mounted in emergency exit locks together with the accordingly certified lock in compliance with DIN EN 179.

Measurements Door Fitting Short Plate

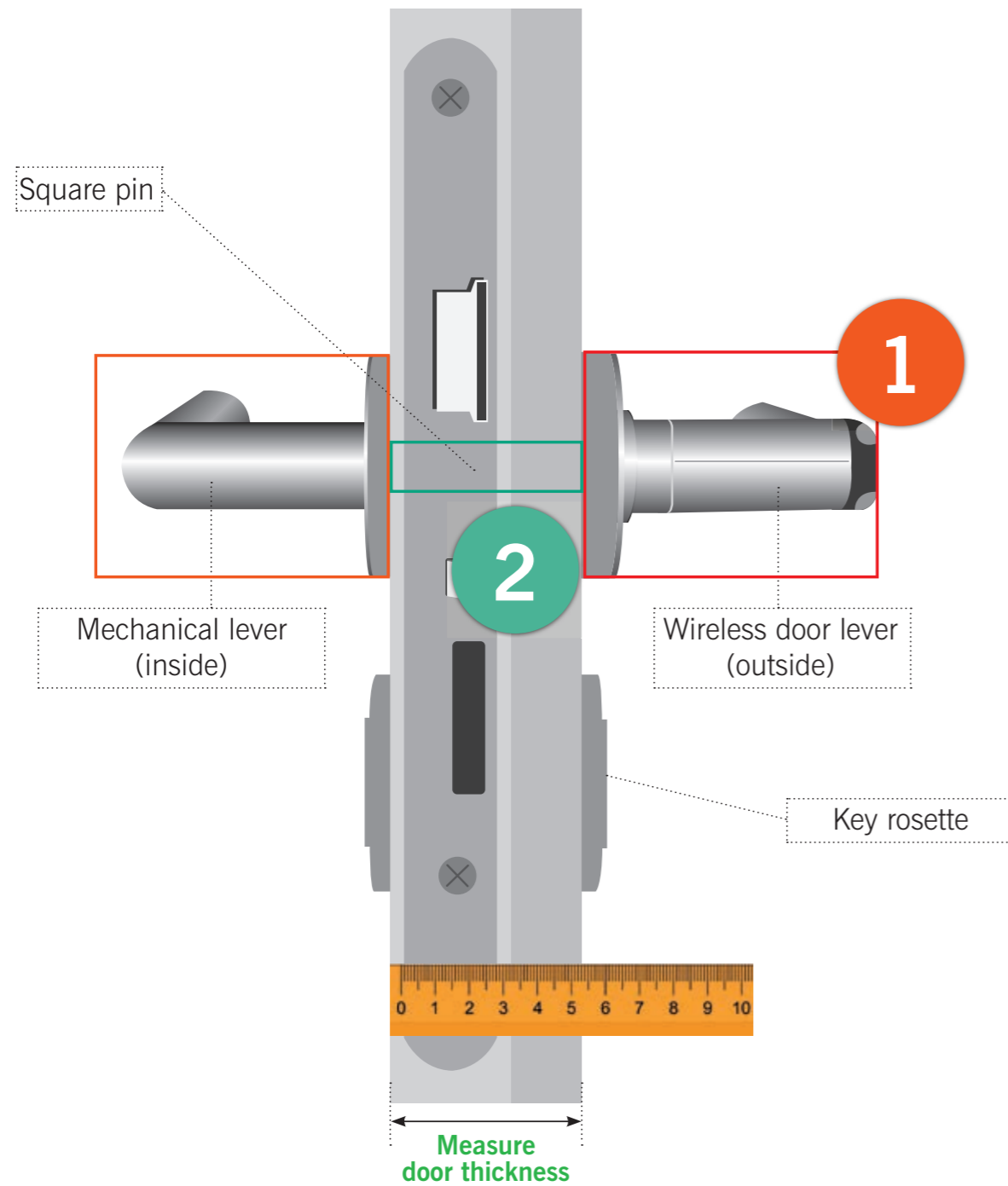


Wireless Door Fitting
see page 50

Ordering assistance for Kentix DoorLock-LE

(Wireless Door Lever)

Easy selection of the required Kentix DoorLock Door Lever in two steps



INFO

The item is always delivered as a set consisting of online door lever, mechanical interior lever and the required screws. The key rosettes are not included. You can either use the existing rosettes or order the matching key rosettes separately.

A square pin for standard doors with a door thickness of up to 56mm and 8mm square pins is already included in each Wireless Door Lever set. If another type of square pin is required, please order it extra.

1

Select door lever or door fitting

Version	Lever shape	Protection	Lever direction	PC-distance
<input type="checkbox"/> Round rosette (R) <input type="checkbox"/> Oval rosette (O) <input type="checkbox"/> Slim with punch (FS) <input type="checkbox"/> Wide with punch (FW) <input type="checkbox"/> Slim blind (FSB) <input type="checkbox"/> Wide blind (FWB) <input type="checkbox"/> Short (FL) <input type="checkbox"/> Short blind (FLB)	<input type="checkbox"/> L-shape (L) <input type="checkbox"/> U-shape (U1) <input type="checkbox"/> U-shape 2 round (UR)	<input type="checkbox"/> Indoor IP55 (I) <input type="checkbox"/> Outdoor IP66 (O) <input type="checkbox"/> Indoor-Fire (F) <input type="checkbox"/> Outdoor-Fire (OF) For indoor or outdoor use or for fire protection doors	<input type="checkbox"/> Right (R) <input type="checkbox"/> Left (L)	
Slim with punch Slim blind Wide with punch Wide blind Short with punch Short blind	L-shape (L) U-shape (U1) U-shape 2 round (UR)		Right Left	<input type="checkbox"/> 72 mm (Standard) <input type="checkbox"/> 78 mm <input type="checkbox"/> 85 mm <input type="checkbox"/> 88 mm <input type="checkbox"/> 92 mm <input type="checkbox"/> 94 mm
KXC-LE	R	L	I	R

2

Select square pin, if required

SELECT SQUARE PIN			HINT
Type	Square pin (mm)	Door thickness (mm)	For doors with a thickness of 36-56mm, a matching square pin is delivered by default. For all other doors please select your according square pin here.
2 KXC-S	<input type="checkbox"/> 8.0 (Standard) <input type="checkbox"/> 8.5 (Anti-Panic) <input type="checkbox"/> 9.0 (Fire Door)	<input type="checkbox"/> 30-38 <input type="checkbox"/> 39-47 <input type="checkbox"/> 48-56 <input type="checkbox"/> 57-65 <input type="checkbox"/> 66-74 <input type="checkbox"/> 75-83 <input type="checkbox"/> 84-92 <input type="checkbox"/> 93-101 <input type="checkbox"/> 102-110	
	8.0	75-83	

1 Select wireless door lever and door fitting

Version	Lever shape	Protection	Lever direction	PC-distance
<input checked="" type="checkbox"/> Round rosette (R) <input type="checkbox"/> Oval rosette (O) <input type="checkbox"/> Slim with punch (FS) <input type="checkbox"/> Slim blind (FSB) <input type="checkbox"/> Wide with punch (FW) <input type="checkbox"/> Wide blind (FWB) <input type="checkbox"/> Short with punch (FL) <input type="checkbox"/> Short blind (FLB)	<input checked="" type="checkbox"/> L-shape (L) <input type="checkbox"/> U-shape (U1) <input type="checkbox"/> U-shape 2 round (UR)	<input checked="" type="checkbox"/> Indoor IP55 (I) <input type="checkbox"/> Outdoor IP66 (O) <input type="checkbox"/> Indoor-Fire (F) <input type="checkbox"/> Outdoor-Fire (OF)	<input checked="" type="checkbox"/> Right (R) <input type="checkbox"/> Left (L) <small>For indoor or outdoor use or for fire protection doors</small>	<input checked="" type="checkbox"/> 72 mm (Standard) <input type="checkbox"/> 78 mm <input type="checkbox"/> 85 mm <input type="checkbox"/> 88 mm <input type="checkbox"/> 92 mm <input type="checkbox"/> 94 mm
R	L	I	R	

Example	Door „Office“				Quantity	
	KXC-LE	R	L	I	R	2
	<input checked="" type="checkbox"/> 8.0 <input type="checkbox"/> 8.5 <input type="checkbox"/> 9.0	Door thickness: <u>75 mm</u>		PC-distance: <u>72 mm</u>		2
	KXC-LE	—	—	—	—	
	<input type="checkbox"/> 8.0 <input type="checkbox"/> 8.5 <input type="checkbox"/> 9.0	Door thickness: _____		PC-distance: _____		
	KXC-LE	—	—	—	—	
	<input type="checkbox"/> 8.0 <input type="checkbox"/> 8.5 <input type="checkbox"/> 9.0	Door thickness: _____		PC-distance: _____		
	KXC-LE	—	—	—	—	
	<input type="checkbox"/> 8.0 <input type="checkbox"/> 8.5 <input type="checkbox"/> 9.0	Door thickness: _____		PC-distance: _____		
	KXC-LE	—	—	—	—	
	<input type="checkbox"/> 8.0 <input type="checkbox"/> 8.5 <input type="checkbox"/> 9.0	Door thickness: _____		PC-distance: _____		
	KXC-LE	—	—	—	—	
	<input type="checkbox"/> 8.0 <input type="checkbox"/> 8.5 <input type="checkbox"/> 9.0	Door thickness: _____		PC-distance: _____		
	KXC-LE	—	—	—	—	
	<input type="checkbox"/> 8.0 <input type="checkbox"/> 8.5 <input type="checkbox"/> 9.0	Door thickness: _____		PC-distance: _____		



Wireless Door Lever
see page 48

Configuration examples

Electronic Door Lever versions



Electronic door lever in version with round rosette



Electronic door lever in version with oval rosette



Electronic door lever for glass-door lock (upon request)

Electronic Door Fitting versions



Electronic door fitting slim in blind version



Electronic door fitting wide in blind version



Electronic door fitting with short panel in blind version

Lever versions



L-shape



U-shape square



U-shape round

Key rosette door lever



Round rosette profile cylinder



Round rosette blind



Oval rosette profile cylinder



Oval rosette blind

Key punch door fitting



Profile cylinder



Blind

Overview of possible combinations

Electronics outside	Mechanical inside - standard -					Electronics outside - upon request -			
	+					+			
		+					+		
			+					+	
				+					+
					+				

Mechanical door lever inside



Mechanical door fitting



Special orders upon request



Wireless Cabinet Lock DoorLock-RA

The wireless Cabinet Lock offers an easy access solution for IT racks and distribution cabinets. Due to the battery operation the installation efforts are reduced to a minimum. The lithium AA battery allows operating times of up to 8 years or 100,000 operations. The battery is mechanically secured against removal (special tool). The lock is delivered with various adapters and locking levers and can therefore be adapted to almost any IT cabinet.

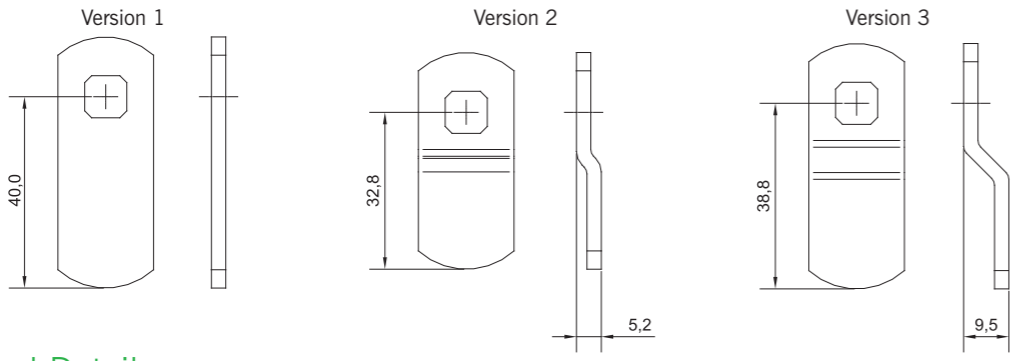
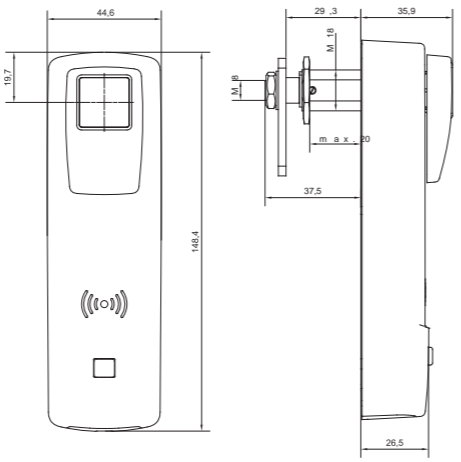


Products

Type	Item number
Wireless Cabinet Lock	KXC-RA1

Accessories

Type	Delivery content	Item number
Spare battery	1 piece	KER14505
Battery Changing Tool	1 piece	KXC-BAT3

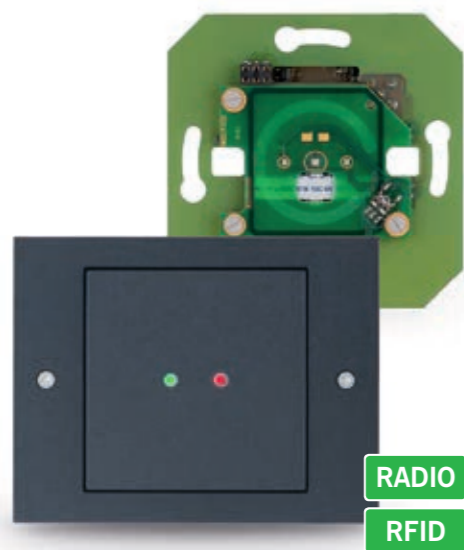


Technical Details

Function	Electronic cabinet lock with RFID and wireless networking
Room/site size	One rack or cabinet lock respectively
Radio frequency	868 MHz, encryption AES 128 Bit
RFID reader	MIFARE® DESFire® 13,56MHz
Temperature range	-10°C up to +55°C
Configuration	Via Kentix AccessManager (KXP-16-B/W)
Battery	1x AA lithium (3.6V)
Battery life (transactions/years)	Up to 100.000 transactions or 8 years
Audits	CE, DIN15684
Delivery content	1x Wireless Cabinet Lock, 3x locking lever (different types), 1x AA lithium battery, mounting material

► Adapters available for common cabinet manufacturers

Wireless Cabinet Lock
see page 60



RADIO
RFID

Wireless Wall Reader

The wireless Wall Reader is suitable for electric door openers, electronic locks, electric door and gate drives or elevators for instance. The entire electronic system is located on a compact unit that can be mounted in a simple flush-mounted box. The wall mounted reader is available in flush-mounted and surface-mounted versions for interiors or exteriors. With different covers and housings (to be ordered extra), manifold installation possibilities can be realized. Unlocking authorizations can be assigned from one central position and can be reached even in exposed, distributed places.



Products

Type	Item number
Wall Reader	KXC-WA1
Wall Reader Outdoor IP66	KXC-WA1-OUTDOOR

Accessories

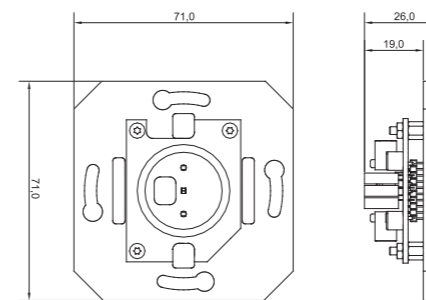
Housing	Color	Item number
GIRA S-Color	Grey	KXC-WA1-GIRA-S-GREY
GIRA S-Color	White	KXC-WA1-GIRA-S-WHITE
GIRA S-Color	Black	KXC-WA1-GIRA-S-BLACK
GIRA TX-44	Aluminum	KXC-WA2-GIRA-TX44-ALU
GIRA TX-44	White	KXC-WA2-GIRA-TX44-WHITE
GIRA TX-44	Anthracite	KXC-WA2-GIRA-TX44-ANTH

Technical Details

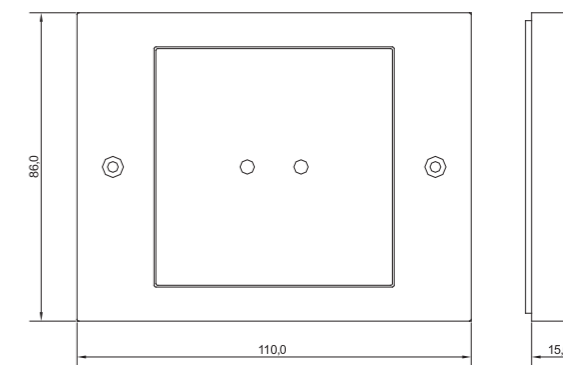
Function	Wireless Wall Reader for flush- or surface-mounting
Room/site size	One door or gate respectively
Radio frequency	868 MHz, encryption AES 128 Bit
RFID reader	MIFARE® DESFire® 13,56MHz
Temperature range	-20°C up to +65°C
Configuration	Via Kentix AccessManager (KXP-16-B/W)
Radio range	Approx. 25m
Relay	30VAC/DC, 1.5 A (PhotoMOS Relay)
Housing	KXC-WA1 for flush-mounting, select cover KXC-WA1-Outdoor for surface wall mounting, protection class IP66, size: 90 x 90 x 40 mm
Audits	CE
Delivery content	Wireless Wall Reader, Quick Start Guide

INFO

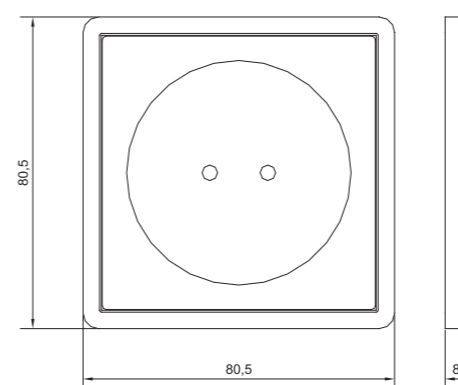
Wall reader in waterproof housing for outdoor use. Ideal for use in rough and moist environments in protection class IP66. Ideal for barrier and gate systems. The door is either controlled via the relay integrated in the Wireless Wall Reader or the external relay connected to the AccessManager (KIO3), depending on the requirements.



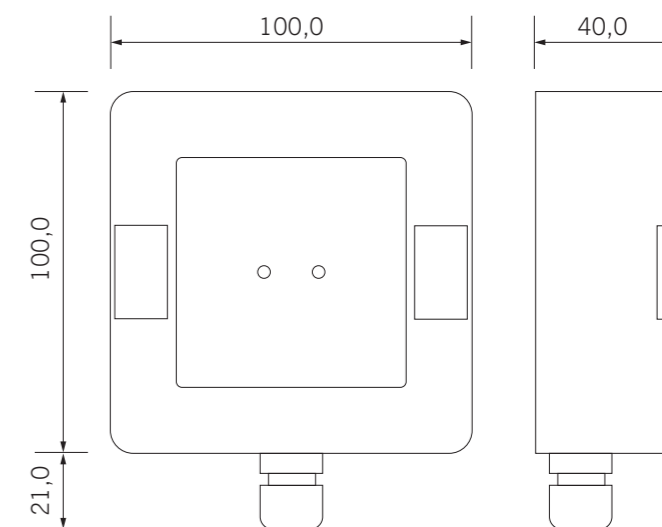
KXC-WA1 - Electronics



KXC-WA1 with GIRA TX-44 housing



KXC-WA1 with GIRA S-Color housing



KXC-WA1-OUTDOOR – Outdoor Wall Reader



Outdoor Wall Reader
see page 62

- LAN
- PoE
- RFID

IP Wall Reader



The IP Wall Reader enables access control via RFID medium or alternatively via pin code. A two-factor-authentication is also possible. The Network Relay Module (PoE) forms the central unit with network connection. The administration is done centrally via the integrated web server. The Network Relay Module communicates per Bus connection with the IP Wall Reader. The reader can be mounted easily in the outlet socket or in a surface-mounted housing (optional) on the inside of the door. With the integrated PoE splitter, the door lock or opener is supplied with 24VDC directly via the reader module; additional cables are not required for power supply.



StarterSet DoorLock-IP



Mounting example in 60 mm switch box and DIN rail

The StarterSet consists of one IP Wall Reader, one Network Relay Module and one RFID Token. In addition, this set can be combined with one more reader (only IP Wall Reader without Network Relay Module) in order to integrate an extra door into the system. Power is supplied to the Extension Reader via the Network Relay Module as well.

Altogether, 999 IP Wall Readers with Network Relay Module can be interconnected so that up to 1.998 doors can be integrated into the system. If more doors or rooms are to be integrated, the Network Relay Modules can be connected to one system with central administration via a master-slave-mode.

Products

Type	Item number	Type	Delivery content	Item number
StarterSet Network Reader with IP Relay Module	KXC-WA3-IP1	RFID Token	1 piece	KKT-M
Network Extension Reader for StarterSet	KXC-WA3-IP2	RFID Tokens	25 pieces	KKT-M25
StarterSet Network Reader with IP Relay Modul	KXC-WA3-IP1-OUTDOOR	RFID Card	1 piece	KKT-MC
Network Extension Reader for StarterSet	KXC-WA3-IP2-OUTDOOR	RFID Cards	25 pieces	KKT-MC25

Accessories

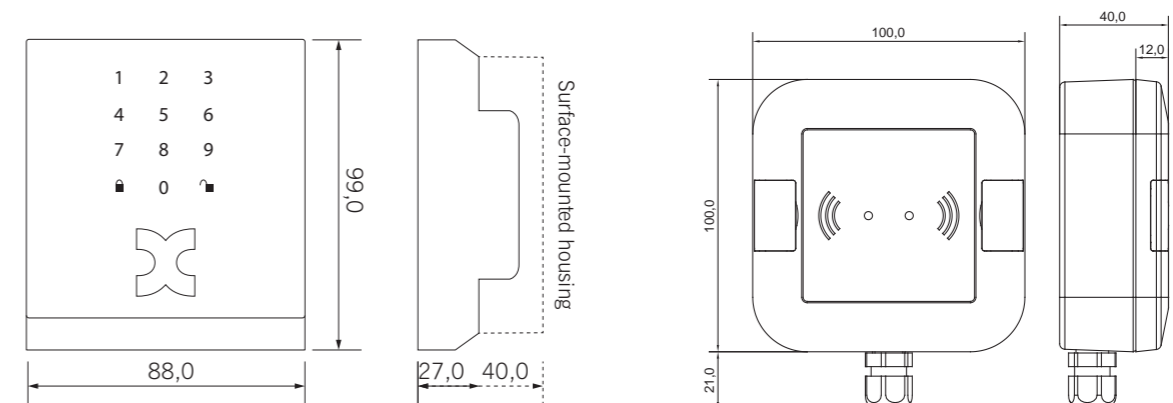
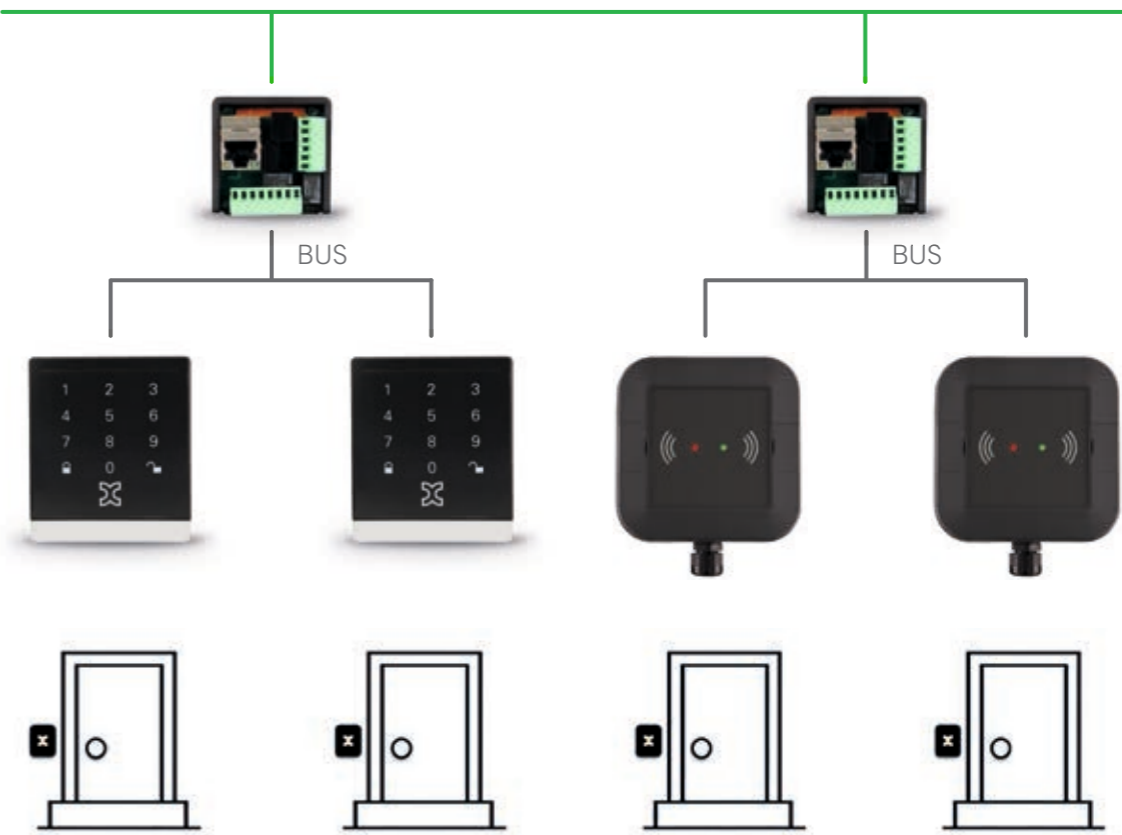
Housing

Housing	Protection class	Color	Item number
Surface-mounted housing	IP44	Painted in RAL 9006	KXC-WA3-SMC

Technical Details

Function	IP Wall Reader for flush or surface mounting, Relay Module
Room/site size	One door
RFID reader (multi-reader)	MIFARE® DESFire® 13,56MHz, MIFARE® Classic, LEGIC prime, LEGIC advant, ISO14443A (CSN / UID), ISO15693 (CSN / UID), Sony FeliCa (CSN / UID), Inside Secure (CSN / UID)
Signaling, LED	Acoustic signal transmitter, RGB light field
Connection Wall Reader	Via Relay Module 4-wire, length up to 500m
Connection electronic door opener/lock	24VDC/500mA (briefly 1A) via integrated PoE splitter or externally, Relay: 125VAC/60VDC, 1A, change-over contact
Temperature range	Wall Reader -25°C up to +60°C Relay Module 0 - 60°C, non-condensing
Protection class	Wall Reader IP54, Relay Module IP20
Configuration	Integrated web server (HTTP/HTTPS)
Extensibility	Extendable to two readers
Size Wall Reader	88 x 99 x 27 mm (flush mounting) 88 x 99 x 40 mm (surface mounting)
Size Relay Module	47 x 48 x 33 mm, mounting in outlet socket or on DIN rail
Audits	CE
Delivery content KXC-WA3-IP1	Wall Reader with PIN, Network Relay Module, 1x RFID Token, 3m SlimLine cable
Delivery content KXC-WA3-IP2	Wall Reader with PIN (requires KXC-WA3-IP1 as basis)

LAN (PoE)



StarterSet DoorLock-KXC

With the wireless StarterSet-DoorLock you receive all components required in order to make your first door online-compatible and to lay the foundation for an entire access control system. One StarterSet enables the management of access authorizations for up to 16 doors. Expanding the system with additional doors is possible at any time. With up to 999 interconnectable AccessManager you set up small as well as large access systems in no time. With more than 15.000 interconnectable doors and 5.000 users there are barely any limits for the expansion.

The combination of AccessManager, wireless door knob (IP55) and master card set included in the StarterSet-DoorLock-BASIC contains everything you need to make a door online ready. In the StarterSet-PRO, the radio door knob is replaced by a compact knob. Due to its smaller diameter (31.4 mm), this knob is particularly suitable for metal frame doors, as it leaves sufficient clearance for opening the door even with small backsets. Due to the compact and robust design of the knob, it is protected against drilling and has resistance class 2 (RC2).

Products

Type	Item number	Type	Delivery content	Item number
StarterSet DoorLock BASIC	KXC-CS1	PoE Injector	1 piece	KPOE150S
StarterSet DoorLock PRO	KXC-KN4-CS1	Low Power Adapter	1 piece	KXC-BAT2
		Spare batteries for Wireless Door Knob	2 pieces	KXC-CR2-2

Accessories

Technical Details - Wireless Door Knob

Function	Electronic Door Knob with RFID and wireless networking
Radio frequency	868 MHz, encryption AES 128 Bit
Battery life (transactions/years)	Up to 45.000 transactions or 4 years
RFID reader	MIFARE® DESFire® 13,56MHz
Size	Diameter 44 mm, length 42,7 mm
Temperature range	-25°C up to +65°C
Configuration	Via Kentix AccessManager (KXP-16-B/W)
Radio range	Approx. 25 m
Batteries	1/2x CR2 (3V)
Audits	CE, DIN15684
Profile cylinder	DIN18252

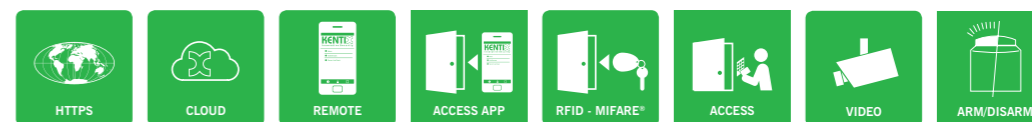
Technical Details - AccessManager

Connectivity	LAN (PoE) – integrated web server (HTTPS), expandable up to 999 AccessManager
Radio frequency	868 MHz, encryption AES 128 Bit
LAN	10/100 Mbit, integrated web server
Power supply via PoE	12-72VAC/DC power consumption approx. 1.5W, PoE Class 1
Housing	Material: PS 90 x 90 x 45 mm; weight approx. 100g; colors: black, white
Environmental conditions	Temperature 0 – 50°C, humidity 10-90% non-condensing
Audits	CE

StarterSet DoorLock-BASIC



RADIO
LAN
LDAP



Delivery content

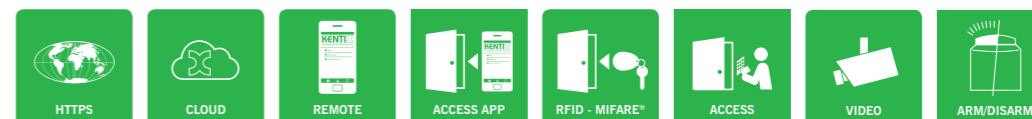
StarterSet DoorLock-BASIC:

- 1 AccessManager
- 1 Wireless door knob BASIC (IP55)
- 1 Master card set
- 1 Slim-line patch cable 3 m

StarterSet DoorLock-PRO



RADIO
LAN
LDAP



Delivery content

StarterSet DoorLock-PRO:

- 1 AccessManager
- 1 Wireless door knob PRO (IP55)
- 1 Master card set
- 1 Slim-line patch cable 3 m

IMPORTANT:
Always order a matching profile cylinder KXC-80/140-AABB or KXC-50-AA for the Wireless Door Knob.

System components



Device	AccessManager	DoorLock-DC	DoorLock-LE
Type	KXP-16-B/W	KXC-KN1/2/4	KXC-LE-XXXX
Function	Access system for the web-based administration and networkability of wireless DoorLocks	Door knob with RFID and wireless networkability	Door lever with RFID and wireless networkability
Maximum number of doors	Up to 15.000 doors	One door	One door
Maximum number of DoorLocks per AccessManager	16	-	-
Configuration	Web server (HTTPS)	AccessManager, programming key	AccessManager, programming key
Smartphone app	✓	✗	✗
Wireless networkability	✗	✓	✓
Standard mortise lock (DIN18252 and DIN 1303)	✗	✓	✗
Offline memory in the device	-	1.000 users	1.000 users
Online memory in the AccessManager	5.000 users	-	-
Suitable for exterior doors (IP66)	✗	✓	✓
Suitable for fire doors	✗	✓	✓
Anti-panic version for escape doors	✗	✓	✓
RFID reader extendable on both sides	✗	✓	✓
Battery life (years)	-	Up to 4 years	Up to 6 years
Battery status alert	✓	✓	✓
Door thickness	-	Up to 140 mm	Up to 110 mm
RFID reader with MIFARE®	-	Classic®, DESFire®	Classic®, DESFire®
Remote opening	✓	✓	✓
Arm/disarm Kentix alarm system	✓	✓	✓
Maximum number of networkable AccessManager	999	-	-
Radio range	approx. 25 m	approx. 25 m	approx. 25 m
Door profiles	unlimited	-	-
Time profiles (day of the week, time of day)	unlimited	-	-
Access protocol memory depth	200.000	-	-
Ethernet	✓	✗	✗
Power over Ethernet (PoE)	✓	✗	✗
IEEE 802.1X authentication	✓	✗	✗
Integratable into AlarmManager	✓	✗	✗
Video recording IP camera (HTTP/S)	✓	✗	✗
Sabotage monitored	✓	✓	✓
SNMP (V2/V3)	✓	✗	✗
LDAP - Active Directory	✓	✗	✗
Memory extension (SD card)	✓	✗	✗
Radio frequency	868MHz	868MHz	868MHz
Approvals	CE	CE, DIN15684	CE
Batteries/power supply	PoE Class 2	2 x CR2 (3V)	CR123A
Temperature range	0°C up to 50°C	-20°C up to +65°C	5°C up to 55°C
Size (L x W x H in mm)	90 x 90 x 45	30-140	30-110

Device	DoorLock-WA	DoorLock-RA	DoorLock-WA-IP
Type	KXC-WA1/ KXC-WA1-OUTDOOR	KXC-RA	KXC-WA3-IP1 / KXC-WA3-IP1-OUTDOOR
Function	Wall reader with RFID and wireless networkability	Rack/Cabinet lock with RFID and wireless networkability	IP Wall Reader with RFID and LAN-networking
Maximum number of doors	One door	One door	Up to 1.998 doors
Maximum number of DoorLocks per AccessManager	-	-	2
Configuration	AccessManager, programming key	AccessManager, programming key	Web server (HTTPS)
Smartphone app	✗	✗	✓
Wireless networkability	✓	✓	✗
Standard mortise lock (DIN18252 and DIN 1303)	✗	✗	✗
Offline memory in the device	1.000 users	1.000 users	-
Online memory in the AccessManager	-	-	5.000 users
Suitable for exterior doors (IP66)	✓	✓	✓
Suitable for fire doors	✓	✓	✓
Anti-panic version for escape doors	✗	✗	✗
RFID reader extendable on both sides	✗	✗	✓
Battery life (years)	-	Up to 8 years	-
Battery status alert	✗	✗	✗
Door thickness	-	-	-
RFID reader with MIFARE®	Classic®, DESFire®	Classic®, DESFire®	Classic®, DESFire®
Remote opening	✓	✓	✓
Arm/disarm Kentix alarm system	✓	✓	✓
Maximum number of networkable AccessManager	-	-	999
Radio range	approx. 25 m	approx. 25 m	-
Door profiles	-	-	100
Time profiles (day of the week, time of day)	-	-	100
Access protocol memory depth	-	-	200.000
Ethernet	✗	✗	✓
Power over Ethernet (PoE)	✗	✗	✓
IEEE 802.1X authentication	✗	✗	✓
Integratable into AlarmManager	✗	✗	✓
Video recording IP camera (HTTP/S)	✗	✗	✓
Sabotage monitored	✓	✓	✓
SNMP (V2/V3)	✗	✗	✓
LDAP - Active Directory	✗	✗	✓
Memory extension (SD card)	✗	✗	✓
Radio frequency	868MHz	868MHz	-
Approvals	CE	CE	CE
Batteries/power supply	Supply voltage 8-40V	AA lithium	PoE class 3
Temperature range	-20°C up to +65°C	-20°C up to +65°C	-20°C up to +65°C
Size (L x W x H in mm)	71 x 71 x 26	148.4 x 44.6 x 35.9	88 x 99 x 27

Application example: Access for office, law firms or medicinal practices

Protection of entrances and rooms in the same or in other buildings against unauthorized access with an online-capable solution

The wireless Door Knob with profile cylinder, the wireless Door Lever and wireless Wall Reader are available as locking components. These are connected wirelessly to the Kentix AccessManager. On a web surface, the AccessManager provides the central administration for all locking components in the system and contains a central log book. If required, each transaction can be connected to a video recording. Several AccessManager can be connected to one system in

which one of them takes on the central administration. This makes the extension to more rooms or buildings very easy.

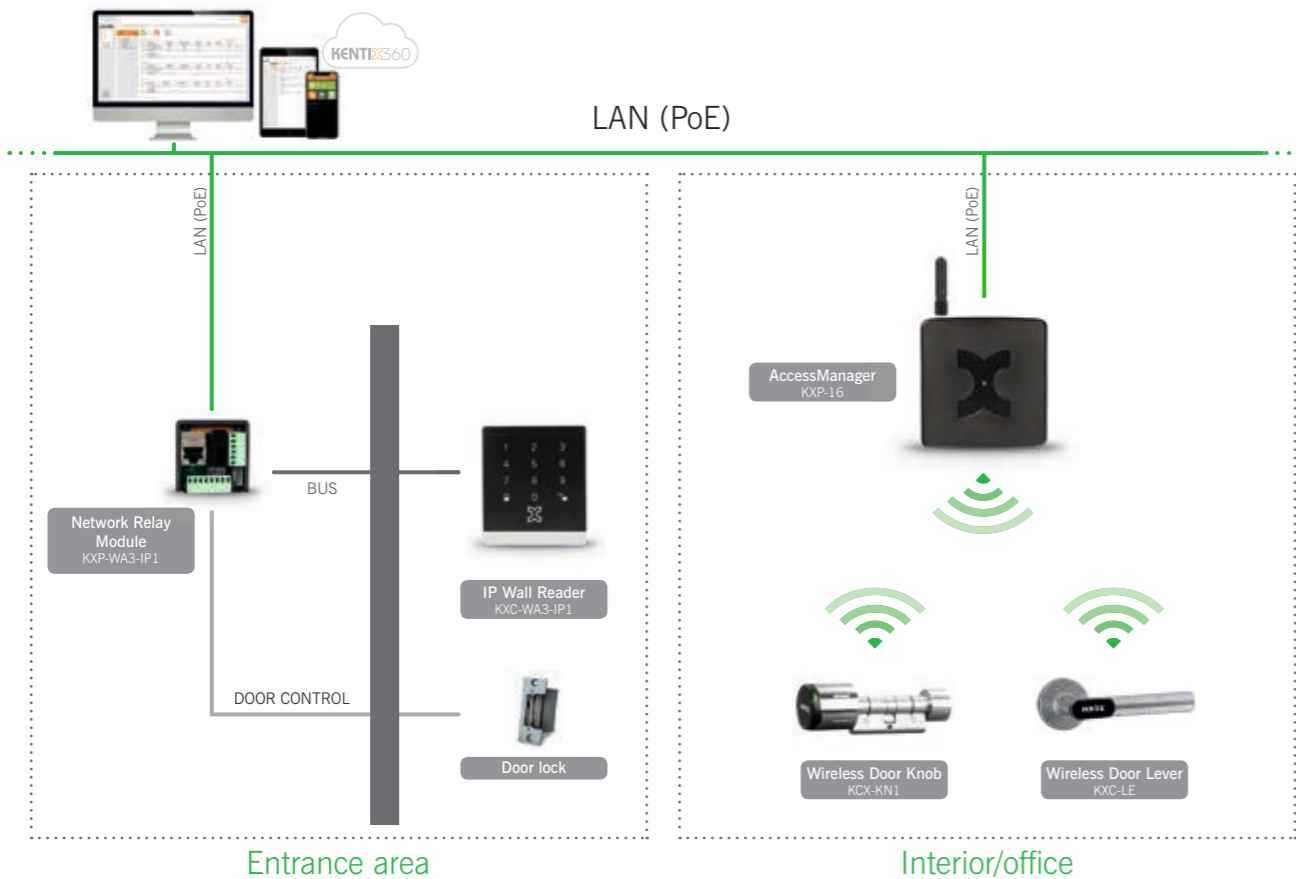
The IP Wall Readers and Network Relay Modules are fully compatible to the DoorLock series. Therefore, extra rooms can also be equipped with wireless DoorLock components and can be integrated into the system.

Parts list/Order assistance

Type	Item number	Quantity
AccessManager	KXP-16	1
Wireless Door Knob for interior or exterior doors (IP65/66)	KXC-KN1	1
Profile cylinder	KXC-80-AABB	1
Wireless Door Lever	KXC-LE	1
Wireless Wall Reader	KXC-WA1	1

Extensions

Type	Item number	Quantity
Camera	M3105-LVE	1
IP Wall Reader incl. Network Relay Module	KXP-WA3-IP1	1
Extension reader for Network Relay Module	KXP-WA3-IP2	1



Application example: Access solution for IT racks

Protection of one or several IT racks (server cabinets) against unauthorized access, expandable to other rooms or areas and combinable with video recording if required

To implement an access control system for IT racks, the wireless Door Knob with profile half cylinder and the wireless Cabinet Lock are available as locking components. These components are connected to the Kentix AccessManager via radio. On a web surface, the AccessManager provides the central administration for all locking components in the system and contains a central log book of all transactions. If

required, each transaction can be combined with a video recording.

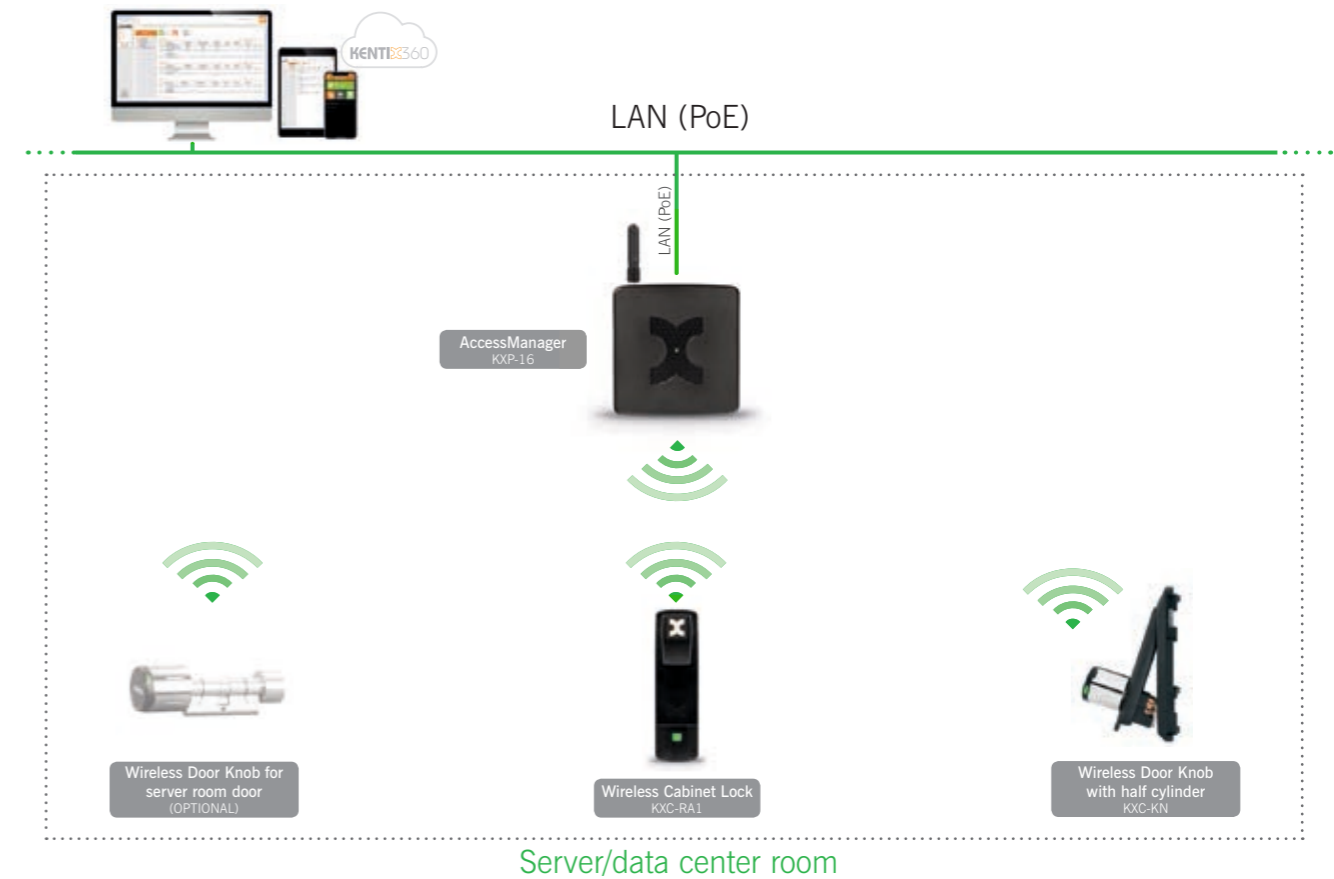
Several AccessManager can be connected to one system so that changes only need to be made from one central position. This way, the site can be extended any time with more server cabinets or doors to adjoining rooms as well.

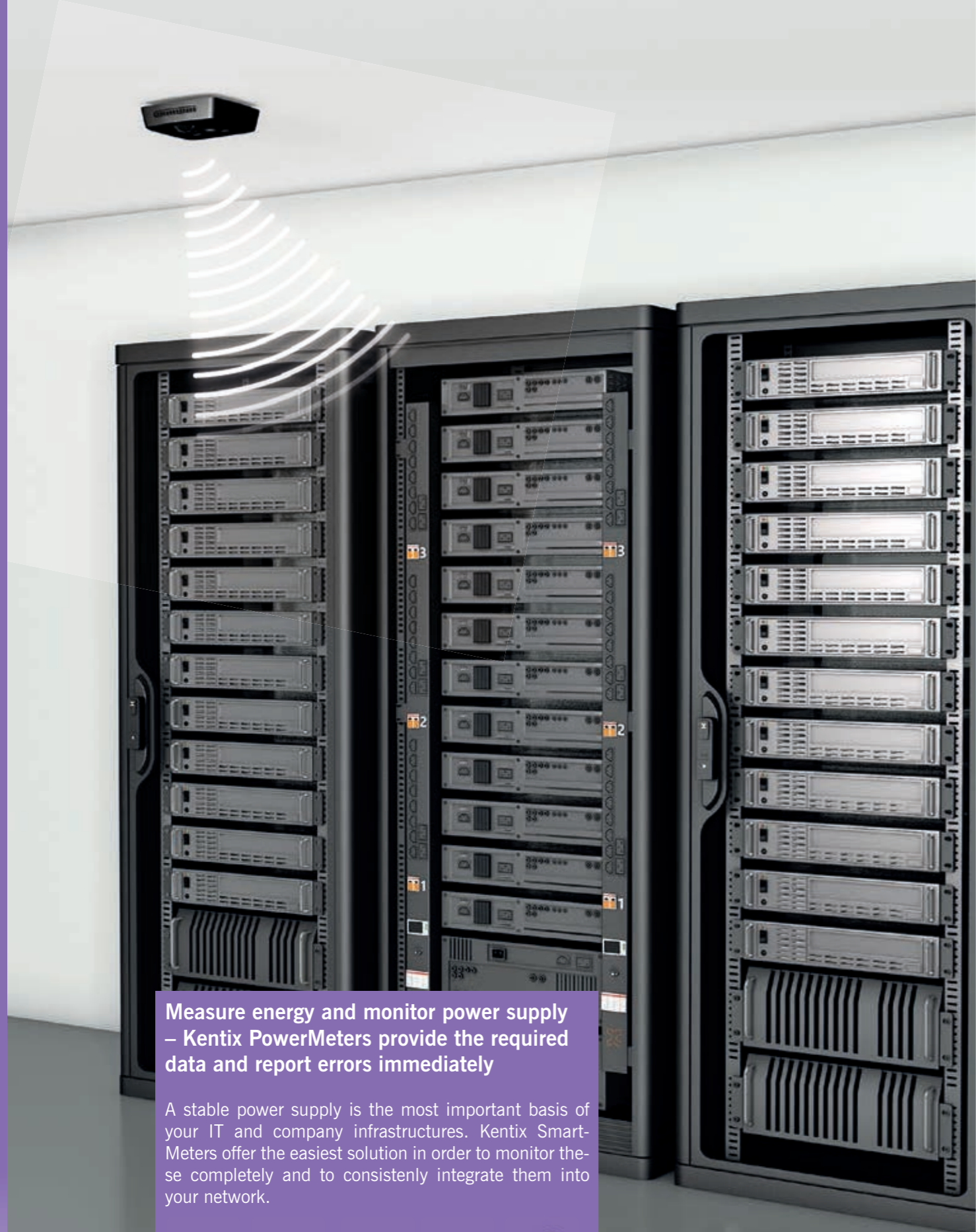
Parts list/Order assistance

Type	Item number	Quantity
AccessManager	KXP-16	1
Wireless Door Knob for interiors (IP55)	KXC-KN1	1
Profile half cylinder	KXC-50-AA	1
Wireless Cabinet Lock	KXC-RA1	1

Extensions

Type	Item number	Quantity
Camera	M3105-LVE	1
Wireless Door Knob for interior or exterior doors (IP55/66)	KXC-KN1/2	1
Profile cylinder	KXC-80-AABB	1
Wireless Wall Reader	KXC-WA1	1





IP Power Monitoring ingeniously easy – with the wireless Kentix SmartMeters

A stable power supply is the most important basis of your IT and company infrastructures. The Kentix PowerManager offers the easiest solution to monitor these completely and to integrate them into your network. The advantages are on the one hand the choice between wireless and wired meters and on the other hand the simple IP network integration. The central unit, the Kentix PowerManager, offers full SNMP V2/ V3 support, an easy installation and a web-based user interface with all important data.

The combination of the Kentix PowerManager as a central unit in connection with the ZigBee-radio-based SmartMeters offers enormous integration and cost advantages in contrast to wired systems. Due to the radio technology, power and fuse outages can be reported reliably.

Connectable types of meters:

- Kentix ZigBee-radio SmartMeter
- Meters with ModBus RTU
- Meters with ModBus IP
- Pulse counter via Kentix I/O Module (16 channels / meter)

Application possibilities:

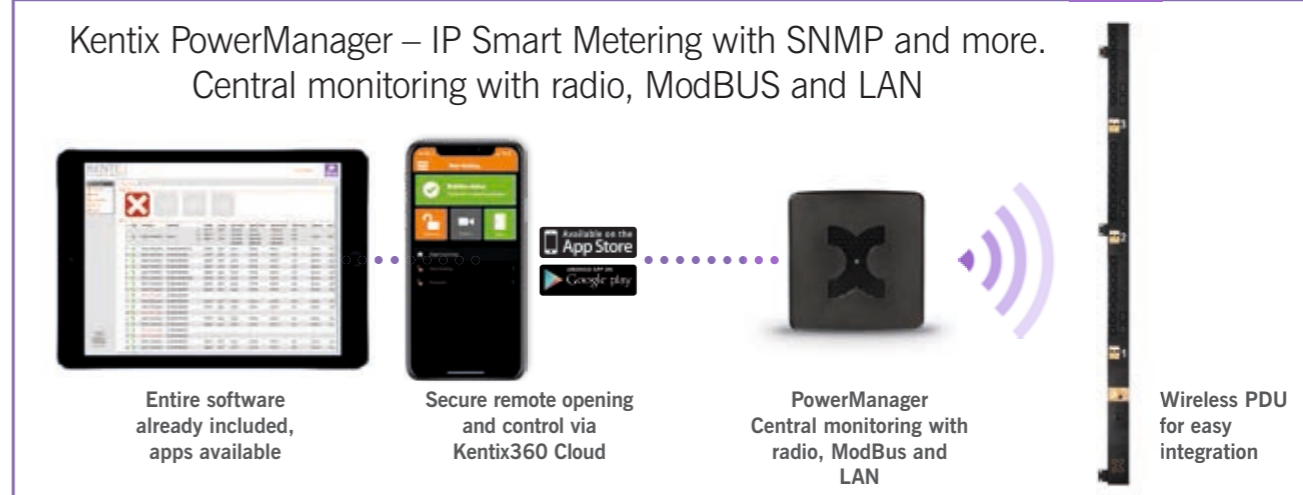
- Data centers
- Measuring single racks (A+B)
- Customer billing colocation
- Network monitoring
- Technology distributors
- PUE measuring

Measure energy and monitor power supply – Kentix PowerMeters provide the required data and report errors immediately

A stable power supply is the most important basis of your IT and company infrastructures. Kentix SmartMeters offer the easiest solution in order to monitor these completely and to consistently integrate them into your network.



- Power consumption (kWh)
- Power (A)
- Voltage (V)
- Frequency (Hz)
- Output (W, VA, kVar)
- Power factor
- Supply-phase fault



All system components at a glance – easy networkability for 360° Smart Metering



LAN (PoE)

LAN (PoE)

LAN

LAN

PowerManager
KPM-RF



SmartPDU
RADIO



SmartPDU
RADIO



SmartPDU
ETHERNET · MODBUS

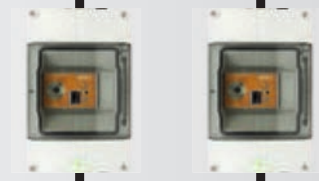


PowerAnalyser
ETHERNET · MODBUS



Electric Meter
ETHERNET · MODBUS

Raised floor



InlineMeter
RADIO

Power grid 230/400VAC



Wireless PowerManager

The Kentix PowerManager manages radio- and bus-capable electricity meters. All measured values merge in one web-based surface. For each measured value, independent threshold values can be determined for the alarming. Via automatic monthly e-mail reports, consumption data can easily be transmitted. By specifying a measuring point for each meter (IT or building), the PUE (Power Usage Effectiveness) value is automatically determined. Moreover, all data and alarm values are available at any time via SNMP V2/3 and are easily integratable in superordinate management systems.

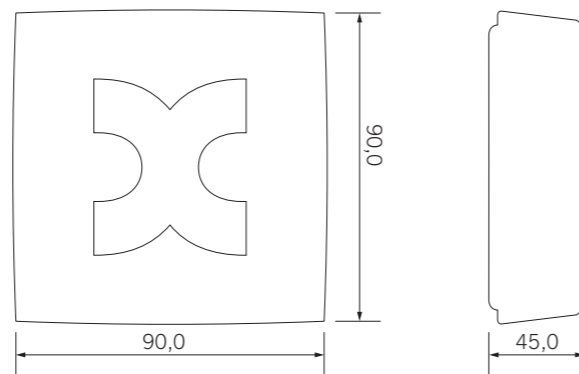


Products

Type	Item number
PowerManager-RF	KPM-RF-B

Accessories

Type	Item number
I/O Module with Relay	KIO3



Technical Details

Connectivity	LAN (PoE) – Integrated web server, interconnectable with another 999 Kentix PowerManagers
LAN	10/100 Mbit, integrated web server, communication ports: 80/443
Radio frequency	868 MHz, encryption AES 128 Bit
Number of wireless meters	Up to 32
RS485	Interface for ModBus meter (via KIO3 I/O Module)
SD card	Micro SD card slot for cards of up to 128GB
Kentix system socket	RJ45, for the connection of external Kentix plug'n'play modules
Switching outputs (system socket)	2x Open Collector 0.1A/24V, optional: I/O Module (KIO3) 2x switch relay 1A/24V
SNMP	SNMP (V2/3), SNMP Traps (V2/3)
Power supply	PoE 12-72VAC/DC power consumption approx. 1.5W, PoE class 1
Housing	Protection class IP20, 90 x 90 x 45 mm; weight approx. 100g; color: black
Environmental conditions	Temperature 0 – 50°C, humidity 5-95%, non-condensing
Delivery content	PowerManager, antenna, mounting bracket, mounting material, 3 m SlimLine cable
Audits	CE



Wireless InlineMeter

Radio extension meter for easy integration of consumers in the IT infrastructure or technical rooms. Ideal for measuring rack PDUs, UPSs, air conditioning systems or building services. The meter fits any standard DIN rail in the electrical distribution or can be used directly as a so-called InlineMeter. A major advantage of radio technology is that in the event of a power failure, a last message is sent to the PowerManager. Thus, network and phase failure are optimally monitored. The counter is also ideal for large colocation data centers with hundreds of racks. The ZigBee wireless technology creates a stable wireless network without complicated cabling.

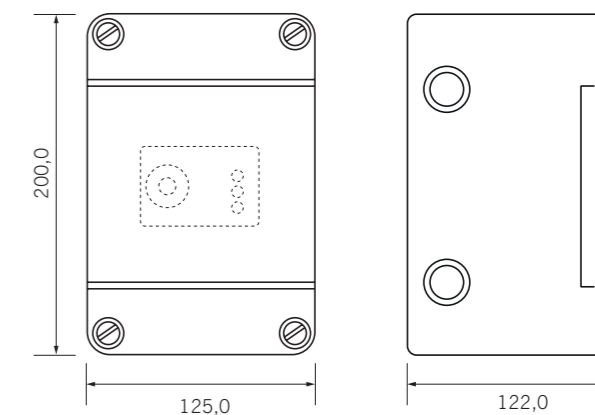


Products

Typ	Artikelnummer
Wireless Inline-Meter 16A, 1-phase	KILM-1-16
Wireless Inline-Meter 16A, 3-phase	KILM-3-16
Wireless Inline-Meter 32A, 1-phase	KILM-1-32
Wireless Inline-Meter 32A, 3-phase	KILM-3-32

Accessories

Typ	Artikelnummer
ZigBee stub antenna	KSM-DR60-ANT1

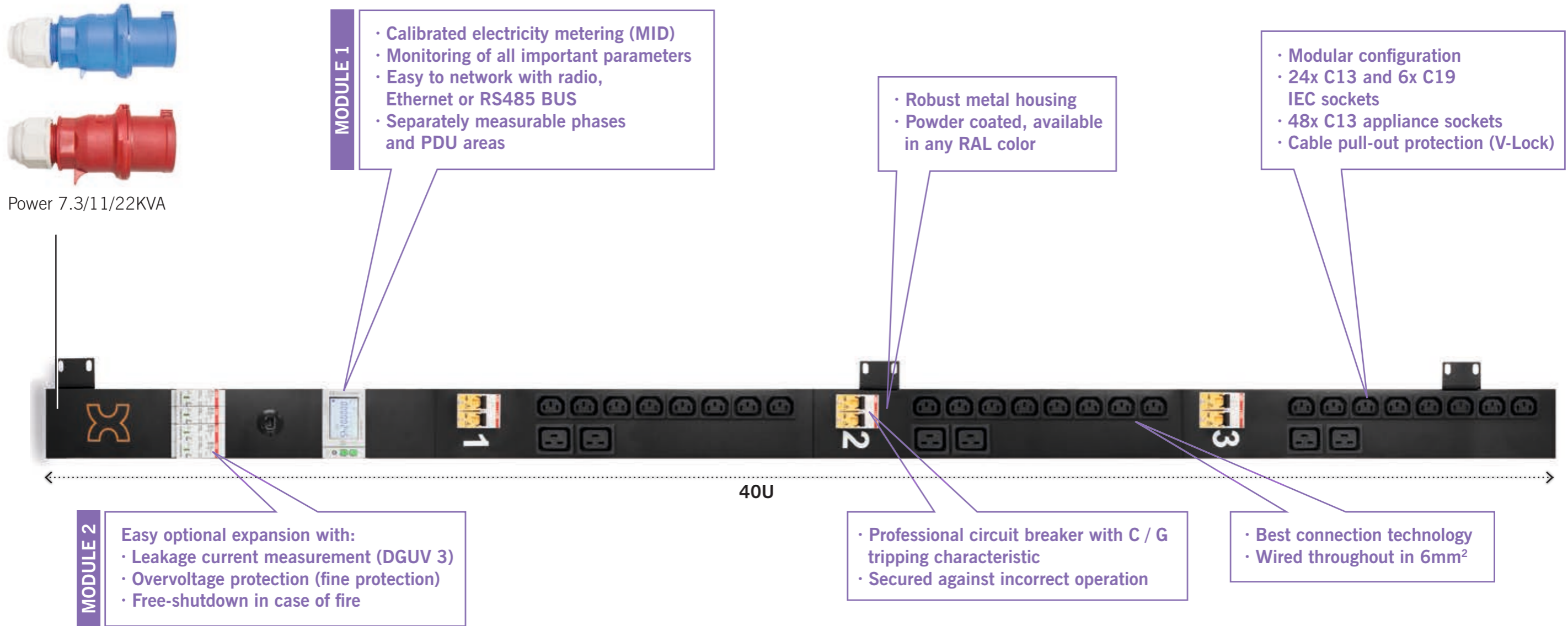


Technical Details

Connectivity	Kentix PowerMeter
Radio frequency	ZigBee® 2,4GHz; ISM Band +3dBm; output IEEE8 02.15.4; encryption AES 128 Bit, antenna connection SMA
Number of wireless meters	Up to 25
Power supply	1/3 x 230/400V (neutral) +/-10%
Current measurement	max. 60A per phase
Power consumption	1.5W
Measurement accuracy	< 2%
Resolution	1W
Frequency measurement	45 - 65Hz, 0.01Hz
Measured values	Voltage (U), power (I), apparent power (S), effective power (P), reactive power (Q), power factor, consumption (kWh)
LED	Signal, teach-in signalization
Housing	Impact-resistant plastic IP64, 125 x 200 x 122 mm; Color: RAL7035
Environmental conditions	Temperature -10°C up to 50°C, humidity 5-95%, non-condensing
Delivery content	InlineMeter
Audits	CE

The no compromises PDU - Robust to the best standards

Networking via radio or IP, calibrated current measurement, power from 7.3kVA to 22kVA



Fail-safe power distribution with proven components

Robust, simple and calibrated: That was the formula for the development of our PDU series. Together with longtime Datacenter customers, we have developed a PDU that meets the essential requirements of a robust and fail-safe power distribution. We have focused fully on using the most proven power distribution components and have incorporated only the really important functions.

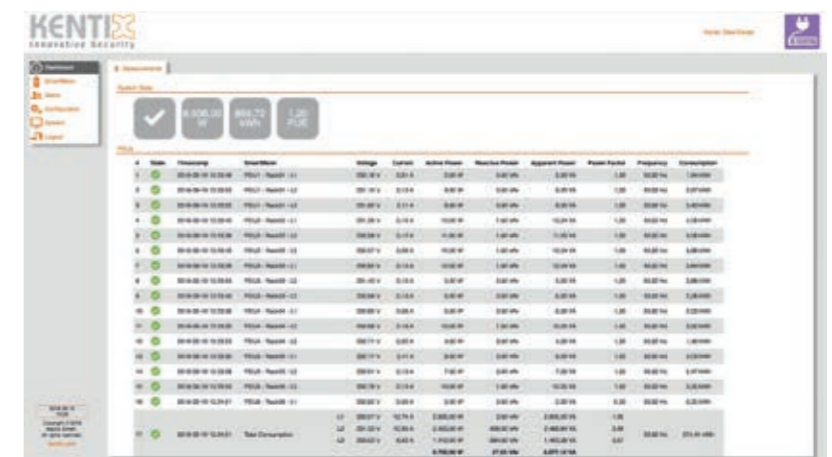
The result is an ultrarugged PDU that meets all the requirements for current measurement and monitoring and can be managed using state-of-the-art interfaces (SNMP V2/ 3, JSON). Being a wireless PDU makes

networking in the data center easy, even for large data centers. The proven ZigBee wireless technology offers significant advantages:

- No additional cabling
- No assignment of Ethernet ports
- Easiest management over Kentix PowerManager
- Also suitable for large data centers
- Encrypted and stable data transmission

Easy management via Kentix PowerManager

No external software required. Kentix PowerManagers provide a webbased interface which contains the complete software - even for large data centers. The PUE (Power Usage Effectiveness) calculation including monthly reporting is integrated.



SmartPDU – 40U with Radio or IP

The Kentix SmartPDU Series is designed as a modular PDU based on the highest standards of electrical engineering. Only standardized modules such as smart meters and intelligent measuring and safety devices are used. The PDU offers two installation areas for a wide variety of extensions. This results in a significant advantage, namely the use of calibrated and approved current measurements according to EN50470-3 (MID) for cost-effective customer billing in co-location areas. Up to 6 customer areas can be settled legally and accurately. The integration takes place via the Kentix PowerManager and offers a variety of possibilities for evaluation, monitoring and further integration in the management system via SNMP V2 / V3.

LAN
RADIO



Technical Details

	1-32	3-32	3-16
Max. Power	7.360VA	22.080VA	11.040VA
Connection cable	IEC60309 (32A-3pol, BLUE)	IEC60309 (32A-5pol, RED)	IEC60309 (16A-3pol, RED)
C13	24 or 48	24 or 48	24 or 48
C19	6 or 0	6 or 0	6 or 0
C13/19 lockable	✓	✓	✓
Fuse	3 x 10A C-Type 3 x 16A C-Type	3 x 16A C-Type 3 x 10A C-Type	3 x 10A C-Type 3 x 16A C-Type
Overvoltage protection	Optional	Optional	Optional
Leakage measurement	Optional	Optional	Optional

Meters options:

Meter ZigBee	✓	✓	✓
Number per PowerManager	25	25	25
Meter Modbus RTU (calibrated measurement)	✓	✓	✓
Number per PowerManager	100	100	100
Meter Modbus ETH (calibrated measurement)	✓	✓	✓
Number per PowerManager	100	100	100
Display light	Ethernet, RS485	Ethernet, RS485	Ethernet, RS485
Connected cable	3m	3m	3m
Housing	Metal	Metal	Metal
Audit CE	✓	✓	✓
Audit DGUV 3	✓	✓	✓
Size in mm (L x B x H)	1700 x 78,2 x 62,5	1700 x 78,2 x 62,5	1700 x 78,2 x 62,5

Products

Item Number	Basetype	Connectivity	Device sockets	Connection cable
	KPMDU	– xx	– 2406C13C19 –	x-xx
		RF (Radio)		1-32 (1-pol, 32A)
		ET (Ethernet)		3-32 (3-pol, 32A)
		RS (RS485)		3-16 (3-pol, 32A)
Ordering Example:	KPMDU	– RF	– 2406C13C19 –	3-16

RADIO



LAN
BUS



SmartMeter with Radio or IP

Wireless extension meter for easy integration of consumers into the IT infrastructure or engineering rooms. Ideal for measuring rack PDU, UPS, climate systems or technical sites in the building. The meter fits on any standard DIN rail in the electric distribution or is ready for connection and therefore directly applicable as a so-called InlineMeter. A big advantage of the wireless technology is that in case of power failure, one last message is sent to the Power-Manager immediately. Therefore, power and phase failures are monitored ideally. The meter is also perfectly suitable for large colocation data centers with hundreds of racks. Due to the ZigBee radio technology, a stable wireless network is established without complex wiring.

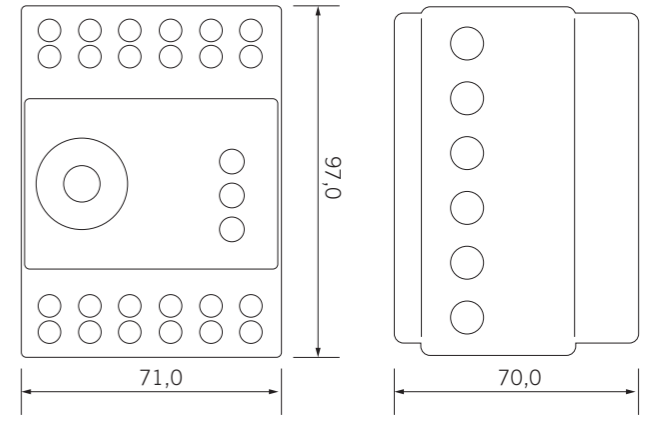


Products

Typ	Artikelnummer
Wireless SmartMeter 400V/60A	KMS-DR60-RF
IP SmartMeter 400V/80A (MID)	KSM-DR80-ET
RS485 SmartMeter 400V/80A (MID)	KSM-DR80-RS

Accessories

Type	Item number
ZigBee stub antenna	KSM-DR60-ANT1



Technical Details

	KSM-DR60-RF	KSM-DR80-ET	KSM-DR80-RS
Connectivity	Kentix PowerMeter	Kentix PowerMeter	Kentix PowerMeter
Approval (Verification)	NO	EN50470-3 MID	EN50470-3 MID
Connectivity	ZigBee Radio	Ethernet	2 wire rs485
Power supply	1/3 x 230/400V (neutral +/-10%)	1/3 x 230/400V (neutral +/-10%)	1/3 x 230/400V (neutral +/-10%)
Current measurement	60A	80A	80A
Power consumption	2W	3W	3W
Measurement accuracy	<2%	Class B (MID)	Class B (MID)
Resolution	1W	1W	1W
Frequency measurement	50/60Hz	50/60Hz	50/60Hz
Measured values	Voltage (U), power (I), apparent power (S), effective power (P), reactive power (Q), effect factor, consumption (kWh)		
Consumption measurement	Total	L1/2/3/Total	L1/2/3/Total
LED, Display	LED: Signal, teach-in signalization	Display illuminated	Display illuminated
Clamps	Screw terminals, diameter 5.5 mm (up to 16 mm²)		
Housing	DIN rail mounting, 4TE, protection class IP20, 71 x 97 x 70 mm; color: RAL7035		
Environmental conditions	Temperature -10°C up to 50°C, humidity 5-95%, non-condensing		
Delivery content	SmartMeter, Gain Magnet Antenna	SmartMeter	SmartMeter
Audits	CE	CE, MID	CE, MID

Seamless integration of IP video cameras into Kentix systems – event-synchronic images and alarms

Kentix systems detect threats early, report them immediately or log authorized and unauthorized access. A video recording simultaneously to the alarms and events enables a fast assessment of critical states even in remote sites. In connection to additional measurement values, it becomes particularly reliable this way.

The following systems support video recording:

- AlarmManager (KAM-BASIC/PRO)
- MultiSensor-LAN (KMS-LAN)
- AccessManager (KXP-16)
- IP Wall Reader (KXCX-WA3-IP1)

Application possibilities:

- IT engineering rooms
- Remote technology stations
- Critical production areas
- Remote storage facilities
- Depots and warehouses
- Medicine cabinets

Kentix systems use the advantage of consistently IP-based systems and can access video data from IP network cameras directly. These are recorded continuously. In the case of an event, pictures prior to and after the event can be connected, saved and transmitted. The advantage lies in the synchronic information of measured data and images in one system; thereby, the search for an external video storage is discontinued.

Basically all network cameras that enable the query of video images via HTTP/HTTPS are supported. Popular camera manufacturers are pre-installed with examples.

Example for integration (HTTP/HTTPS):

MOBOTIX: /cgi-bin/image.jpg?size=800x600

AXIS: /axis-cgi/jpg/image.cgi?resolution=800x600

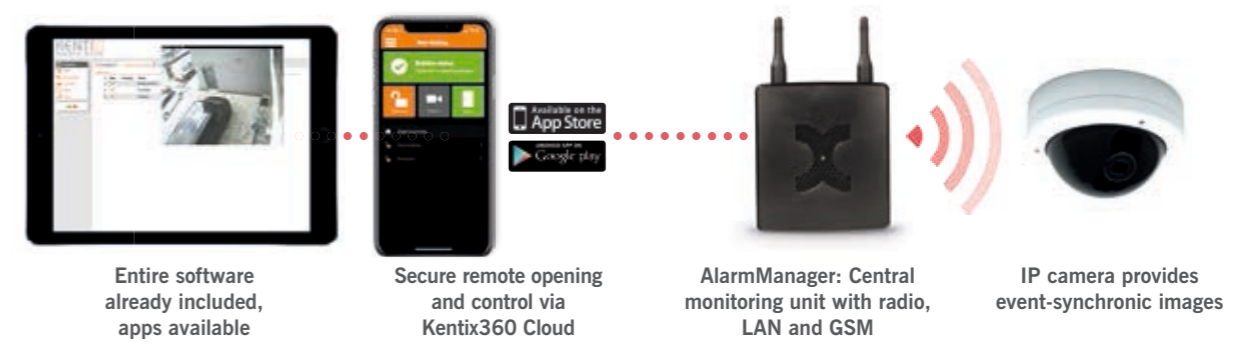
The image size can be adjusted freely, depending on the type of camera. User data, IP address and protocol (HTTP/HTTPS) are added automatically.

Identifying threats as quickly as possible – besides alarms and access, Kentix systems also record videos

Kentix systems detect threats early and report them immediately. For a quick assessment of critical states in remote sites, video recording is essential. Kentix systems transmit system and video information in one message.



Kentix systems can be extended via microSD card with memory sizes of up to 128GB and save more than 100.000 video sequences.

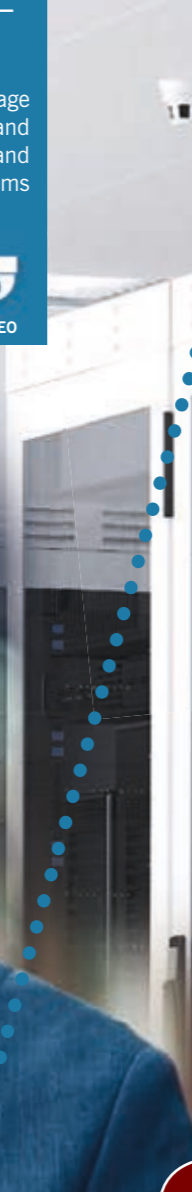
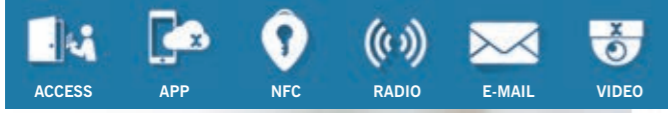




Remote Management über Kentix360 Cloud und Kentix App

Kentix360, the alarm central for your coat pocket – already included in our systems

Access your systems, check the site status, receive and manage alarm messages or simply open doors remotely - any time and anywhere. The Kentix360 Cloud saves all important data and checks the status of your Kentix monitoring or access systems routinely and independently.



Simply activate our devices via the web surface!

Available on the App Store | ANDROID APP ON Google play

Kentix360 is the cloud-based security center for monitoring business-critical IT infrastructures. The cloud solution in conjunction with the Kentix Mobile App provides administrators with information about the status of their Kentix system anytime, anywhere. The administrator is directly informed of alarms and

access via e-mail, SMS or push message - including video recording - on a tablet or mobile phone. The combination of video and live data simplifies remote assessment and in many cases saves the cost of on-site deployment.

Advantages:

- Secure app access from anywhere
- Data storage over 24 months
- Push-messages on Smartphone and integrated e-mail service
- Daily system check
- SIM card for redundant alarm SMS in the Included in delivery (optional registration)
- No additional external cloud service provider needed

Security:

- Encrypted communication
- No open ports from the outside
- Multi-level authentication with ID and password
- Brute force detection with lock
- Hosting in german data center



Always the whole system at a glance

The key features of the app

- Display of system status and logbook
- Arming and disarming of the system
- Display of sensor measurements
- Displays all doors (open/closed)
- Live video view

Kentix360 Cloud

96,00 Euro / Year / Device plus VAT (Minimum term 12 Month)
Usable with AlarmManager, AccessManager or StarterSets

- Secure app access from anywhere
- Data storage over 24 months
- Push and e-mail notifications
- Configurable routine check
- Unlimited number of users per device

Kentix360 SIM-Karte

72,00 Euro / Year plus VAT or. 600 Alarm-SMS
can be used with AlarmManager or StarterSets

- Can only be activated in conjunction with Kentix360 Cloud (optional use)
- Uses the network of the german telecom
- Kentix360-SIM in each StarterSet
- Contains 600 alarm SMS messages that need to be recharged after consumption or one year

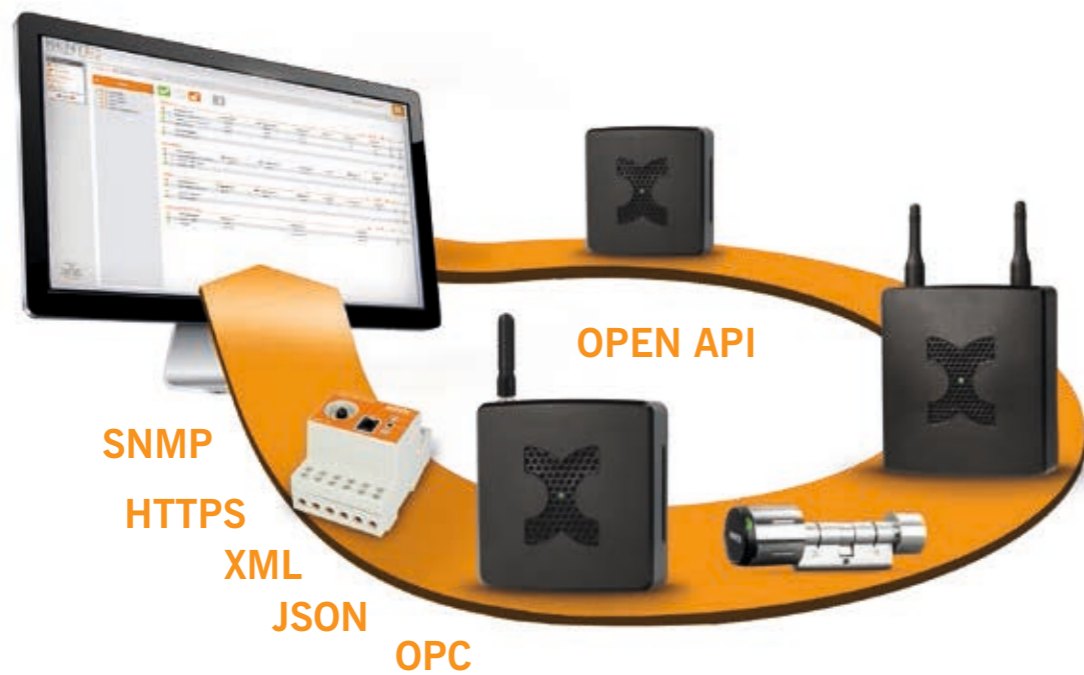
Complete IT Infrastructure Monitoring

In cooperation with our technology partners, we further develop our solutions continuously and offer uniform interfaces for an open system architecture with prospects.

Simply integrate Network Monitoring Tools into environmental monitoring

The Kentix MultiSensor® technology monitors all major physical threats in rooms and racks such as critical climate factors, fire or burglary with just one system. The different measured and alarm values are made available via SNMP (V2/3) and can very easily be integrated into the according Network Monitoring Tool via the SNMP Management Information Base (MIB).

This way, the Kentix MultiSensor® technology provides the data for your network monitoring simply and reliably. Due to the combination of both systems, a gapless monitoring of your company-wide infrastructure is established – and it is ingeniously easy. Kentix devices support all major monitoring and DCIM (Data Center Infrastructure Management) tools.



SNMP Support

- Complete MIB for all integrated sensors
- Traps supported
- Query and integration of all measured values into network monitoring systems

HTTP Support

- Data exchange via XML
- HTTP commands for sending SMS (integrated SMS gateway)
- HTTP triggering of IP cameras

We support all common Network Monitoring, DCIM and Building Management systems



and many more ...

Nagios Icinga CA Unified Infrastructure Management GFI Network Server Monitor
 HP OpenView IBM Tivoli Ipswitch WhatsUp Gold (whatsupgold.com) Microsoft Operations Manager
 Adrem Software NetCrunch OpManager Quest Big Brother ruleIT Monitoring Server
 Spectrum Enterprise Manager SysLink Xandria



MultiSensor-LAN wins funkschau reader's choice award „ITC Product Of The Year 2017“ in the category Physical Security



FRANKFURT/MAIN

Everything that you need for the physical security of your mission-critical infrastructures.



Integrated Access Limited • Hammerain House • Hookstone Avenue • Harrogate • HG2 8ER
T: 01423 561271 • E: enquiries@integratedaccess.co.uk • W: www.integratedaccess.co.uk
Company Registration Number: 07413503 Registered in England