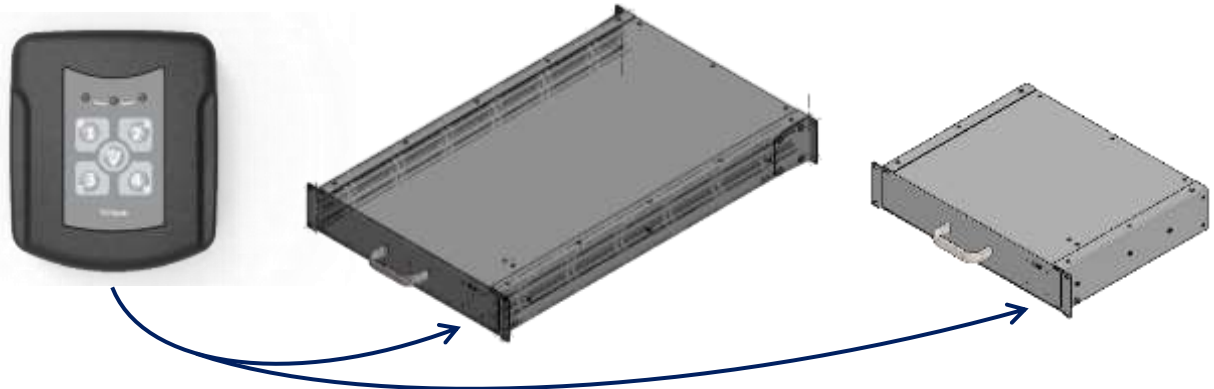


Data Sheet Security Drawer



Security Drawer:

- Secure stowage with the TANlock authentication modules
- Easy integration into existing IT infrastructures
- The drawer is available in various sizes
- No additional software required
- Seamless monitoring of events at the security drawer

Features:

Authentication options

- Locally stored users
- LDAP (one and two level queries)

Possibilities for monitoring

- Connection to existing SysLog server for logging status messages
- Network management with SNMP for monitoring the locks as well as error detection and error transmission
- CAN bus for connection of sensors like temperature, humidity, etc...

Extension possibilities

- Use of a Web API
- Use of a RESTful API
- Local user administration
- Readout of local log entries
- Query of the current state of the lock

Local features

- Setting up local users
- Creation of local user logs
- Configuration option for activating / deactivating the individual interfaces
- DHCP (Dynamic Host Configuration Protocol) or fixed IP assignment
- Integrated switch for IP addressing of base board and authentication module

Requirements

- Power supply with PoE injector or PoE capable switch
- Prerequisites for PoE switch: IEEE 802.3af-2003 / isolated, Power class 0

Available Modules:

RFID	PIN + RFID
------	------------



Authentication via RFID:

- Legic Advant, HID iClass, Mifare Desfire EV1, EV2
- BLE (Bluetooth Low Energy).

Possibility of a two-factor authentication via PIN and RFID (13,56 MHz):

- Legic Advant, HID iClass, Mifare Desfire EV1, EV2
- BLE (Bluetooth Low Energy).

FINGERPRINT + RFID	TOUCH DISPLAY + RFID
--------------------	----------------------



Possibility of a two-factor authentication via FINGERPRINT and RFID (13,56 MHz):

- Legic Advant, HID iClass, Mifare Desfire EV1, EV2
- BLE (Bluetooth Low Energy).

Authenitcation via input on the TOUCH DISPLAY or via RFID (13,56 MHz):

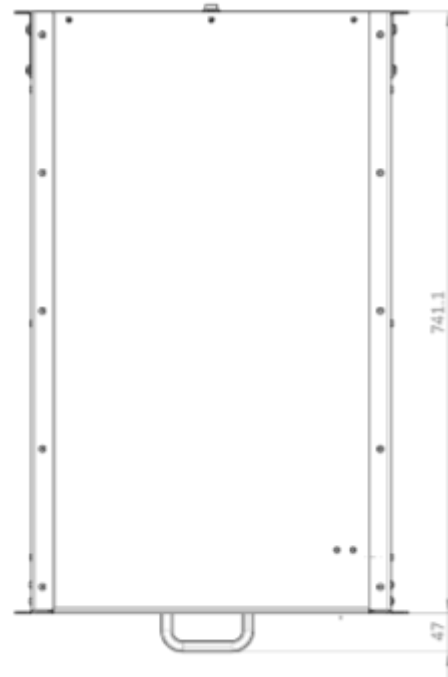
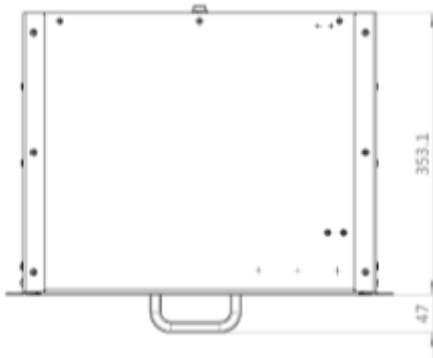
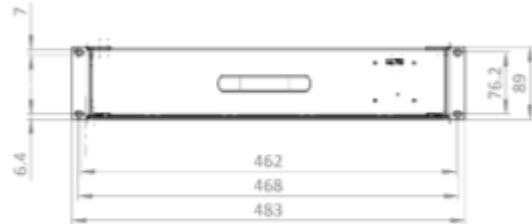
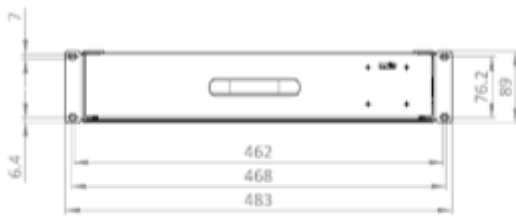
- Legic Advant, HID iClass, Mifare Desfire EV1, EV2
- BLE (Bluetooth Low Energy).

Display of operating parameters possible directly on the Security Drawer.

Authentication takes place via the TAMs (TANlock Authentication Modules) on the right front of the drawer.



Dimensions



Depth	306,1 mm + 47 mm Handle	694,1 mm + 47 mm Handle
Height	89 mm	89 mm
Width	483 mm	483 mm