



nuno
Watch & Mochi



nüo

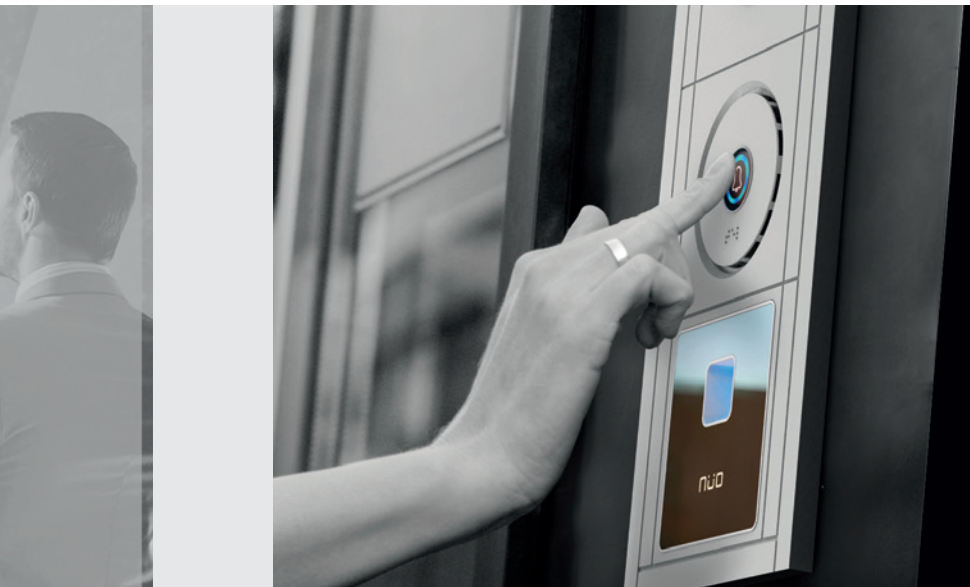
Watch & Mochi

W&M is a digital video-intercom platform using IP technology. This completely innovative solution uses the latest developments in audio and video technology.

- Hands-free using next-generation echo cancellation**
- Automatic background noise reduction**
- Volume adjusted automatically based on background noise**
- MEMS digital microphones**
- High-definition touchscreen monitor**
- Wireless handset**
- Compatible with SIP protocol**
- Operates independently if the server fails**

All of this with superb audio and video quality!

IP Video-intercom simplifies the company's communication infrastructure. Headquarters and mobile workers at the organization are integrated into one unified communication system.





Design

We have meticulously selected each component to design W&M: everything is designed to last and ensure a perfect performance. All with a spectacular design.



Secure

There is a lot we can do to improve the security, management and image of an office. W&M video-intercom guarantees absolute security. Not only we will be able to have a perfect quality sound conversation, but also we will be seeing the other person and its surroundings with absolute clarity.



Not dependent

Everything is tailor-made with the only goal of achieving a perfect, secure and stable operation, not dependent on operating systems, licenses, updates, hardware, etc. No need for a learning process as the application is extremely intuitive and easy to use.



Cost-Effective

W&M is a true Plug & Play. All its components are 100% compatible. Forget the problems when integrating terminals from different manufacturers. W&M works perfectly at the first attempt as almost everything is automatic. You won't believe how easy it is to use and how fast the system can be configured.





No software needs to be installed

All the applications are embedded in the system itself, so you do not have to worry about anything. Connect it and start operating! W&M can be set-up from any browser on a computer or a tablet. **Keeping it simple and complication free!**

A true Plug & Play

nüo

Watch & Mochi

In the office...

Video + Audio + Accesses

W&M Video-intercom system is totally integrated with NÜO Go!

A single device that incorporates a biometric and proximity card reader for employees and a sophisticated video-intercom system for visitors with perfect audio and video quality.

The clear sound quality, even in heavy traffic, means that conversations are understood perfectly. The high resolution camera provides a crystal clear image. Everything to ensure that the entrances to our facilities are completely secure.

nüo

Watch & Mochi

In the shopping centre...

Pure technology!!

There are many points in shopping centres where it is necessary to arrange communication and security issues on the event of an emergency or when help is needed; Access to the car park entrance, the lifts hall, access to restricted areas, information or help points by floors, resting areas, nursery, access to terraces at night, pick-up points for online orders, checkpoints for security staff, warehouses, etc.

Components are manufactured with high-end materials, which avoids recurrent failures reducing maintenance to the maximum.

nüo

Watch & Mochi

At home...

The latest audio and video

Hearing just noise and not understanding a word won't be a problem any more. W&M incorporates digital noise reduction, handsfree with echo cancellation, volume adjusted automatically based on background noise, everything required to get a sound that is loud and clear, even when faced with wind, noise or any other external interference.

Attention to detail, the quality of it's material ensure maximum product life-value without detracting on the visual appearance.



In industry...

Designed to endure!

The sturdiness of the system is guaranteed by the quality of the materials used to manufacture W&M intercoms, which enable them to withstand even the most severe weather and operating conditions.

It is also equipped with a loudspeaker and a powerful sound amplifier that enables the user to hold audible conversations even when there is a lot of background noise. Communication quality is thus guaranteed in emergency situations, as the conversations can be heard with absolute clarity.



In the parking...

The ideal system

It has specific video-intercom modules designed to securely control vehicle access to the company's car park entrances, while perfectly integrating into the aesthetically unbeatable post-type supports of the Sky Car series.

The clear sound quality, even in heavy traffic, means that conversations are understood perfectly. The high-resolution camera provides a crystal clear image.



For large corporations...

A robust design and an exclusive finish

There are many places in large corporate buildings where communication with non-registered visitors needs to be established and resolved; Access to the perimeter; entrance to the parking, lifts and lobby, unattended doors...

It is also essential to act quickly when faced with emergencies and situations where the security of people and goods could be at risk, by ensuring communications with the control centre through assistance points located in strategic places throughout the building.





W&M View DH
Desk model with handset



W&M View D
Handsfree desk model



W&M View W
Handsfree flush mounted model



W&M View

A spectacular design with a superb audio and video quality!

A large display

The anti-glare capacitive touchscreen display (10.1") with its high resolution (1.280 x 800 pixels) clearly shows all the images picked up by the intercom cameras.

Loud and clear

W&M View contains digital audio signal processing algorithms, to guarantee quality for a hands-free conversation, everything required to get a sound that is loud and clear, simply perfect.

Keeping it simple

A surprising design, with a system set-up where almost everything is done automatically, and menus that have never been so easy to use in an videointercom system. We could not have made it easier.

Endless power

We decided not to stop there, and we have equipped the videoconsole with the very latest technology: a powerful processor that provides extraordinary audio and video quality.

Complication free

The videoconsole has a wireless earphone for private conversations, avoiding having to use troublesome cables. It is much harder to design, but it is a pleasure to use.

Only what really matters

Why add unnecessary elements? W&M View does not need any other kind of connection, and its RJ45 network connector is all that is needed for everything to work perfectly.

Everything under control

You can call a videointercom, open or lock a door, leave it open, activate an emergency, activate exits, and receive alarm or failure notifications from any videoconsole.

Enduring and lasting...

To finish, we have been able to encapsulate all this technology in a spectacular minimalist casing made out of extremely durable aluminium that is made to last.



W&M Voxter

The new W&M Voxter video-intercom sets a new benchmark for beauty and endurance.

Video

High-resolution megapixel colour camera with Wide Dynamic Range function for a clear view in extreme back light conditions and a 170° wide angle lens, so no details are lost.

Audio

Digital noise reduction, handsfree with echo cancellation, volume adjusted automatically based on background noise, a powerful loudspeaker even when faced with wind, noise or any other.

Button

Touch button with built-in light indicator in the front panel. It responds to pressure and offers a pleasant user experience. Absolutely no maintenance is required, ever.

Messages

Configurable and pre-recorded welcoming messages, ongoing calls, please come in or door looked. Tailor-made messages can be included on demand.

W&M Voxter S

Not just a standard intercom!



Indicators

The blue light indicator on the button lights up with a brightness adjusted to the surrounding light conditions. It changes to deep white when a call is made, which helps the camera to capture the image in dimly lit environments.



Access for all

Voxter S includes the word "TEL" in Braille next to the button, to facilitate its use for people with visual disabilities. Magnetic-loop transmission system for people with hearing disabilities.



Outdoors

W&M Voxter videointercoms have IP65 protection rating for installation outdoors. It can withstand temperatures ranging from -20°C to above 50°C and all kinds of climate condition.



Endurance

Completely made out of aluminium with a finish that is highly resistant to abrasion, impacts, UV rays, rain, dust, dirt or saline environments. Without giving up a fantastic design.

nūo

Watch & Mochi



W&M Server

W&M Server manages the communication between the W&M videointercom system's devices.

Without software

W&M Server includes the Web application. No software needs to be installed. The W&M Server does not need to be used for systems with up to 4 video-intercoms and 4 videoconsoles.

Web

The most powerful and intuitive management interface. Accessible from any browser and from any device (computer or tablet). Configure and check the status of all the devices in the installation at a glance.

24 X 7

The W&M system is designed to ensure that the doors still operate even when the server is down.

Capacity

A powerful processor ensures that the information travels fast and that all the system devices work perfectly.

Interface

A small colour TFT display and two touch buttons help set-up and maintain the system.

Under control

W&M registers everything. Issue predefined reports by door, by event, by user... Everything under control.

No interactions

No licenses or dedicated computer, no data bases and no need to depend on third parties. There are no incidents... and no worries!

Cost-effective

The installation will be set up in just a few minutes. Configuration of the doors is extremely easy: give each door a name and the intercoms and videoconsoles will find each other automatically.

Integration

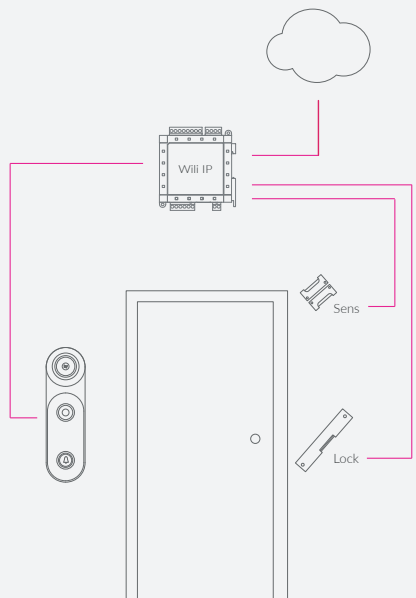
The W&M Server can connect to other systems. It can send notifications about events via TCP/IP to control centres, alarm centres or digital videorecording systems.



W&M Wili IP

Secure door unit

Wili IP is key to the security of the system. Activating the door lock from an intercom jeopardizes security. If the intercom is dismantled, the connections that run to the lock and opens the door can be easy manipulated. That is why Wili IP unit controls the lock from a secure zone centralising all the door wiring, which ensures the installation is clean and uncomplicated.

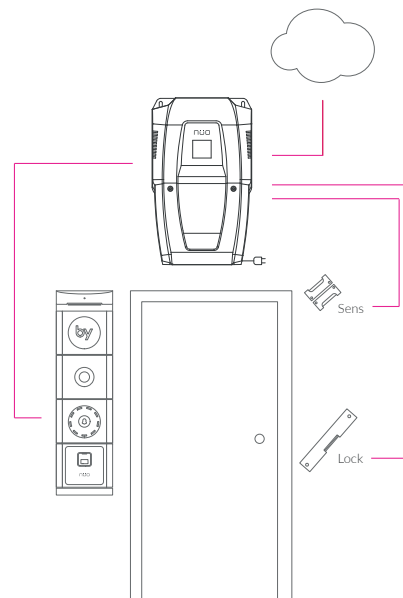


W&M Wili +

Audio + Video + Access

Everything is controlled from one single system!

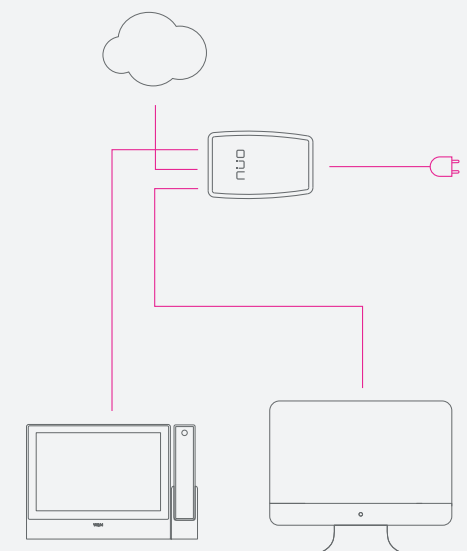
Wili+ door unit simplifies the installation and overcomes wiring problems. The W&M videointercoms completely integrate into NÜO and become just another door element, not an extra.



W&M sPoE

A small but great idea!

Install a videoconsole without laying a single cable. The W&M sPoE switch enables to double the data network power point: one for the computer and the other, including the PoE supply, for the videoconsole.



nüo
Watch & Mochi

Video + Audio + Access

Access control and videointercom in one single fully-integrated management system. With no complications. All in one!

W&M videointercom system can operate as a stand-alone communication system, or can be fully integrated into the NÜO access control system. All the doors and door devices are set-up from one single application, as no distinction is made between Access Control and Video-Intercom. Everything runs smoothly in an integral system where almost everything works automatically.

Maximum security and control, which is so easy to use.



W&M Voxter W&M Voxter W&M Voxter W&M Voxter W&M Voxter W&M Voxter W&M Voxter W&M Voxter W&M Voxter W&M Voxter



NÜO Sky



W&M Server



nüo
Watch & Mochi

NÜO Sky



W&M Voxter/Sky



W&M View



W&M View



W&M View



W&M View



Integrated Access Limited • Hammerain House • Hookstone Avenue • Harrogate • HG2 8ER
T: 01423 561271 • E: enquiries@integratedaccess.co.uk • W: www.integratedaccess.co.uk
Company Registration Number: 07413503 Registered in England

NÜO W&M is a solution designed and manufactured by BY TECHDESIGN

www.by.com.es

